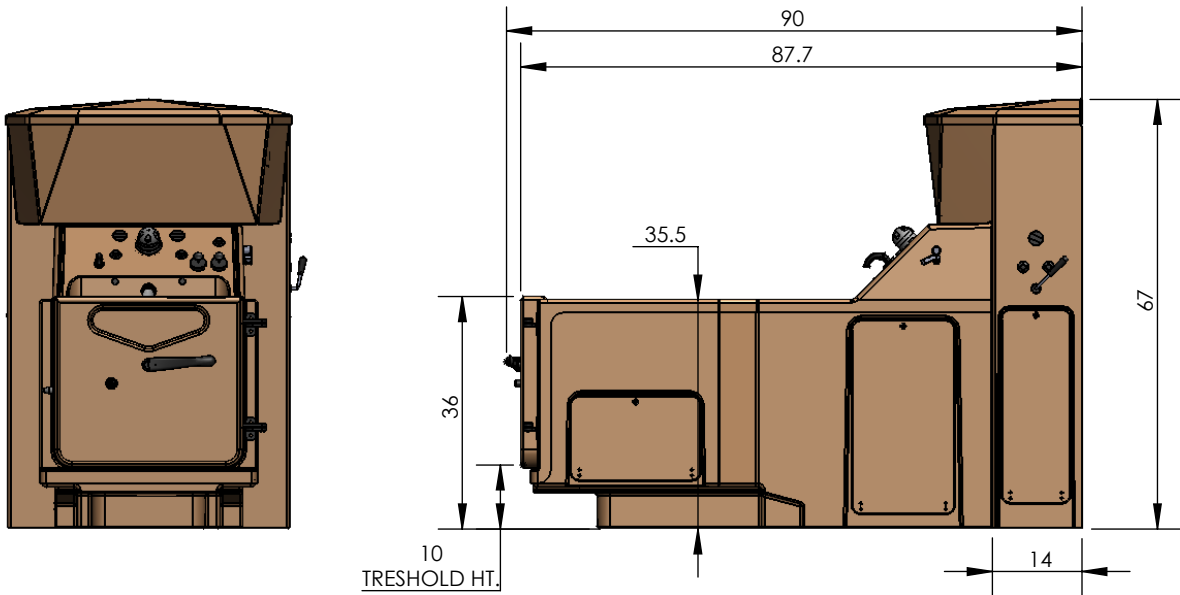
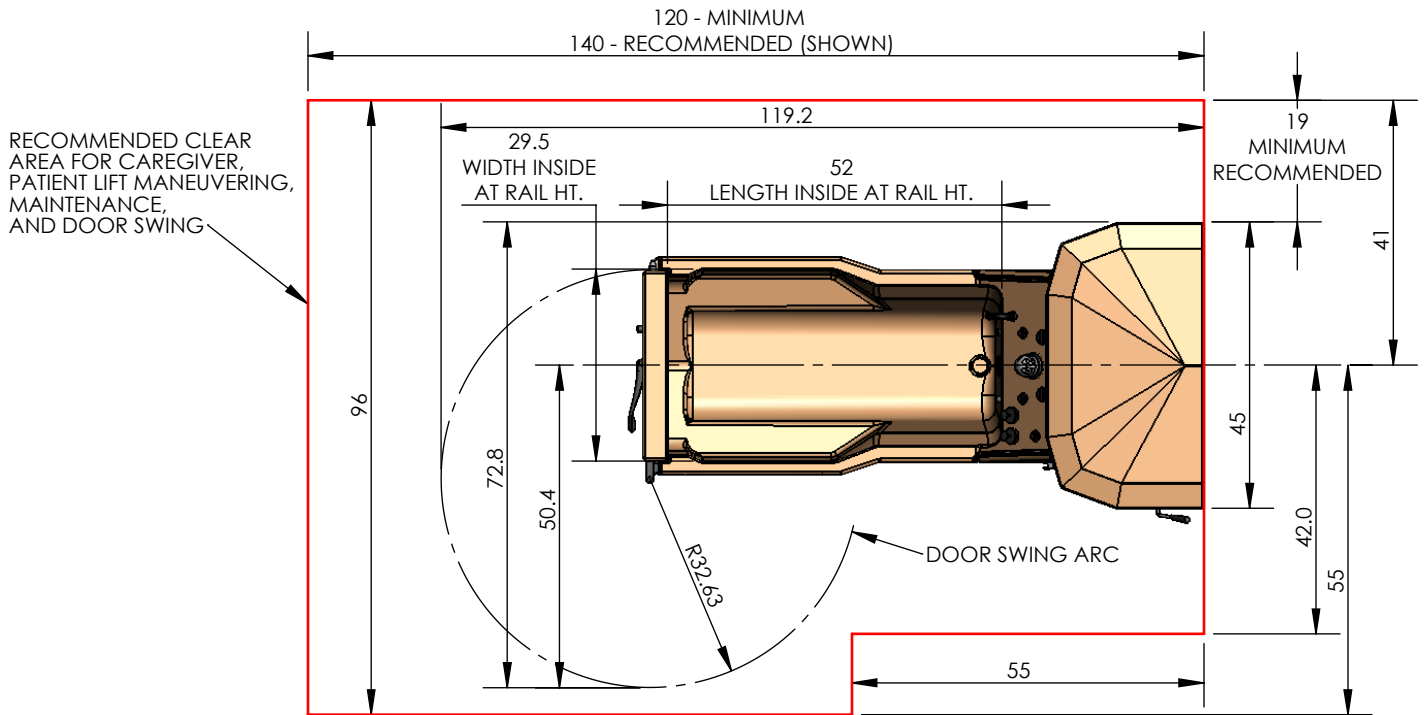


CASCADE END OPENING SPA WITH RESERVOIR



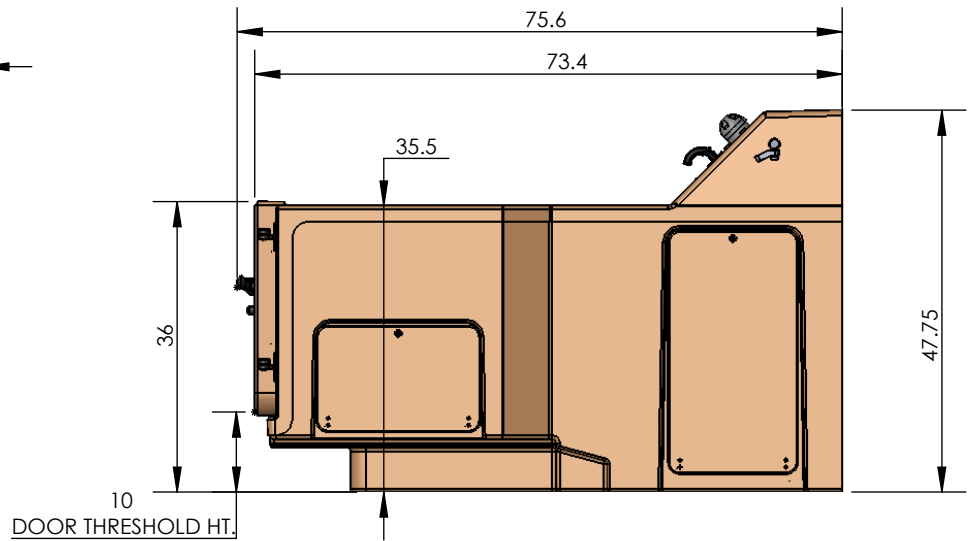
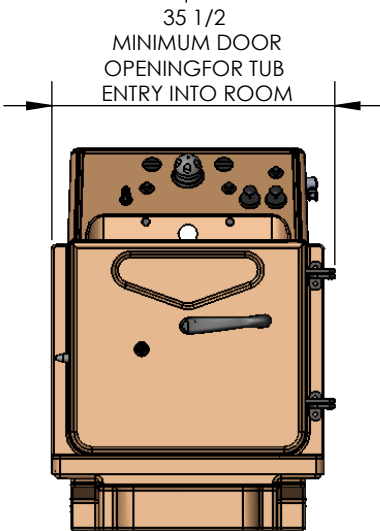
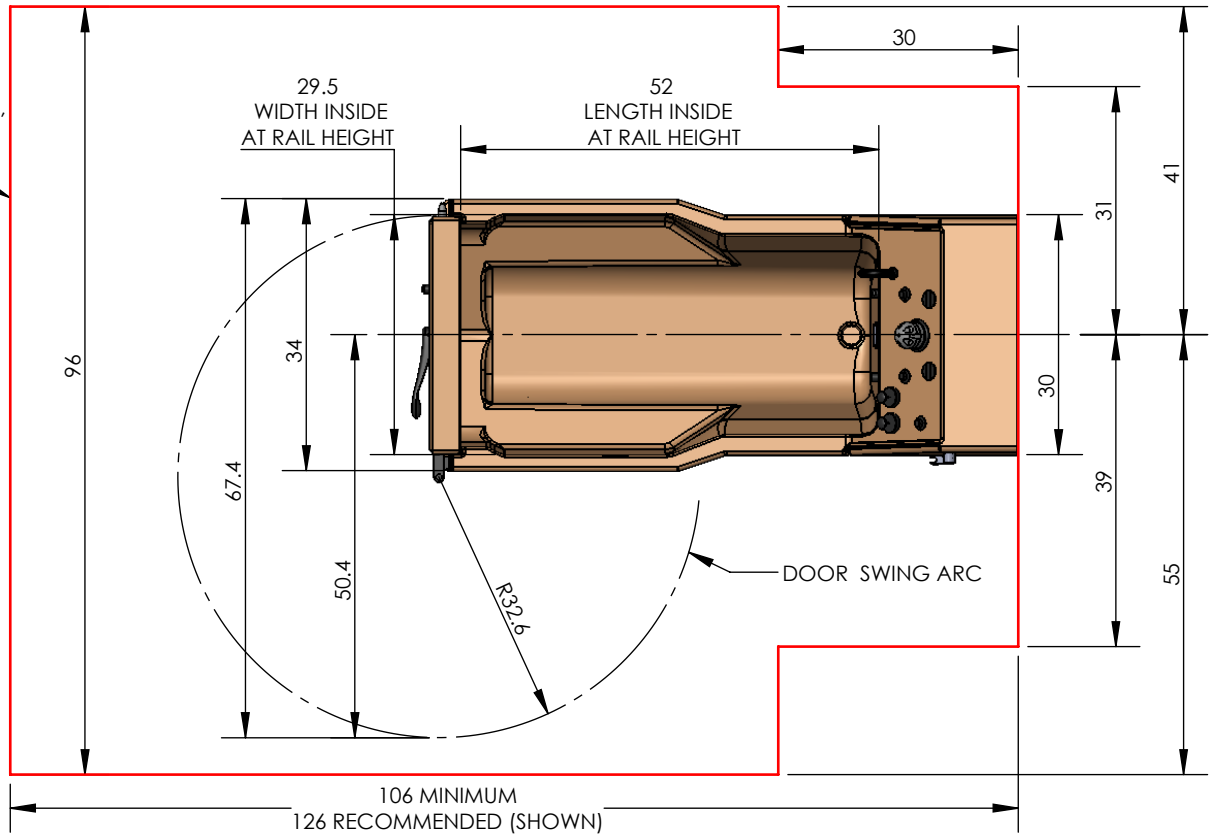
35 1/2 INCH DOOR OPENING REQUIRED FOR TUB ENTRY INTO ROOM

TUB ONLY	RIGHT HAND (SHOWN)	LEFT HAND (MIRROR IMAGE OF SHOWN)
MODEL NUMBER	362010-X	362010-XL
DESCRIPTION	CASCADE END OPENING RIGHT HAND	CASCADE END OPENING LEFT HAND
WATER CAPACITY	100 GALLONS	100 GALLONS
FILLED TUB WEIGHT	1190 LBS	1190 LBS
EMPTY WEIGHT	360 LBS	360 LBS
SHIPPING WEIGHT	500 LBS	500 LBS

RESERVOIR ONLY	RIGHT HAND (SHOWN)	LEFT HAND (MIRROR IMAGE)
MODEL NUMBER	370010-XW	370010-XWL
DESCRIPTION	RESERVOIR - WIDE (RH)	RESERVOIR - WIDE (LH)
WATER CAPACITY	55 GALLONS	55 GALLONS
EMPTY WEIGHT	150LBS	150LBS
FILLED WEIGHT	608 LBS	608 LBS
SHIPPING WEIGHT	265 LBS	265 LBS

CASCADE END OPENING SPA

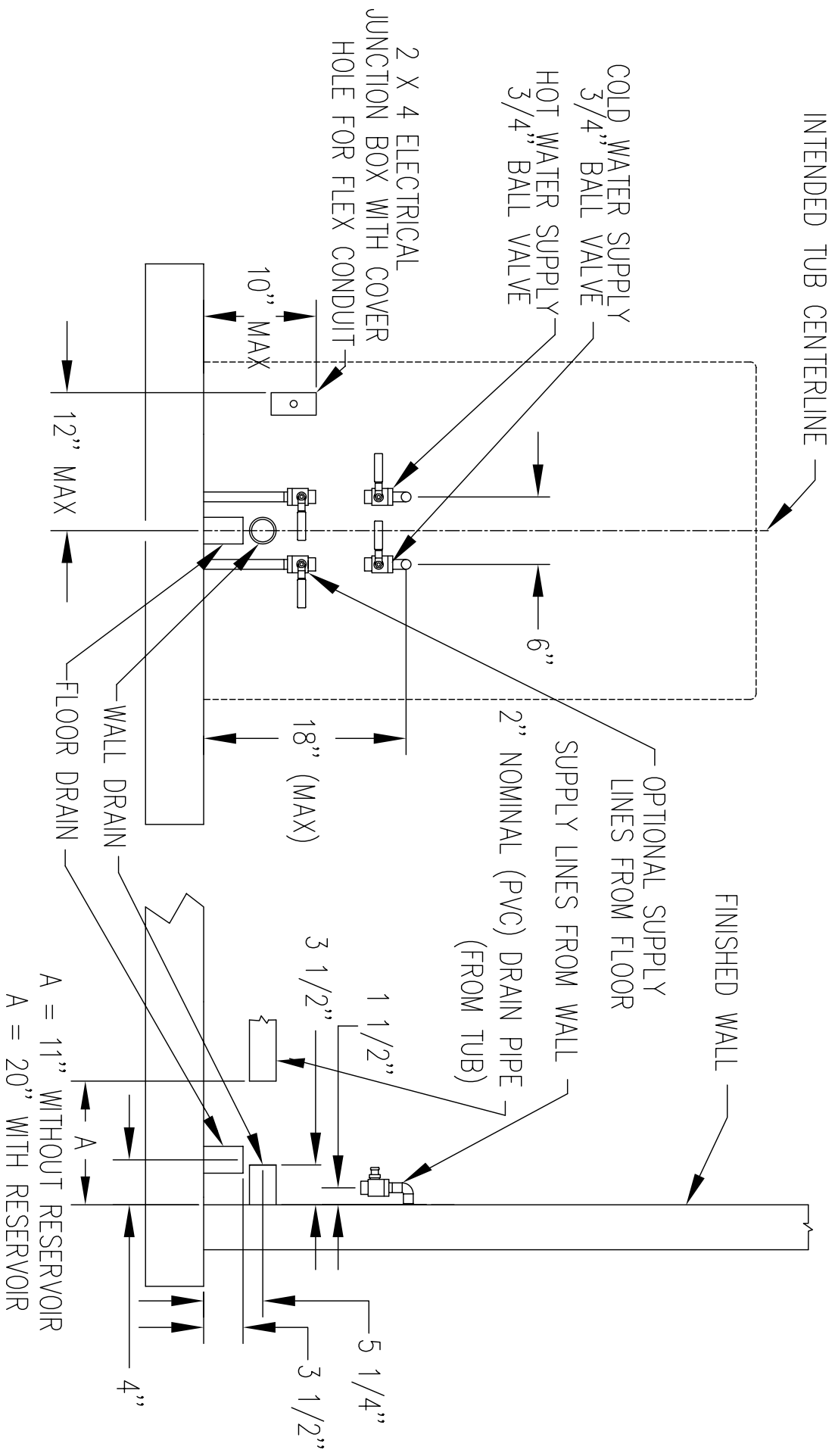
RECOMMENDED CLEAR AREA FOR CAREGIVER, PATIENT LIFT MANEUVERING, MAINTENANCE, AND DOOR SWING



PENNER MFG INC.
102 GRANT ST.
AURORA, NE. 68818
402-694-5003

	RIGHT HAND (SHOWN)	LEFT HAND (MIRROR IMAGE OF SHOWN UNIT)
MODEL NUMBER	362010-X	362010-XL
DESCRIPTION	CASCADE END OPENING RIGHT HAND	CASCADE END OPENING LEFT HAND
WATER CAPACITY	100 GALLONS	100 GALLONS
FILLED TUB WEIGHT	1190 LBS	1190 LBS
TUB ONLY WEIGHT	360 LBS	360 LBS
SHIPPING WEIGHT	500 LBS	500 LBS

THE "X" IN THE MODEL NUMBER REPRESENTS A COLOR CODE



PENNER MFG - CASCADE ROUGH-IN DIMENSIONS