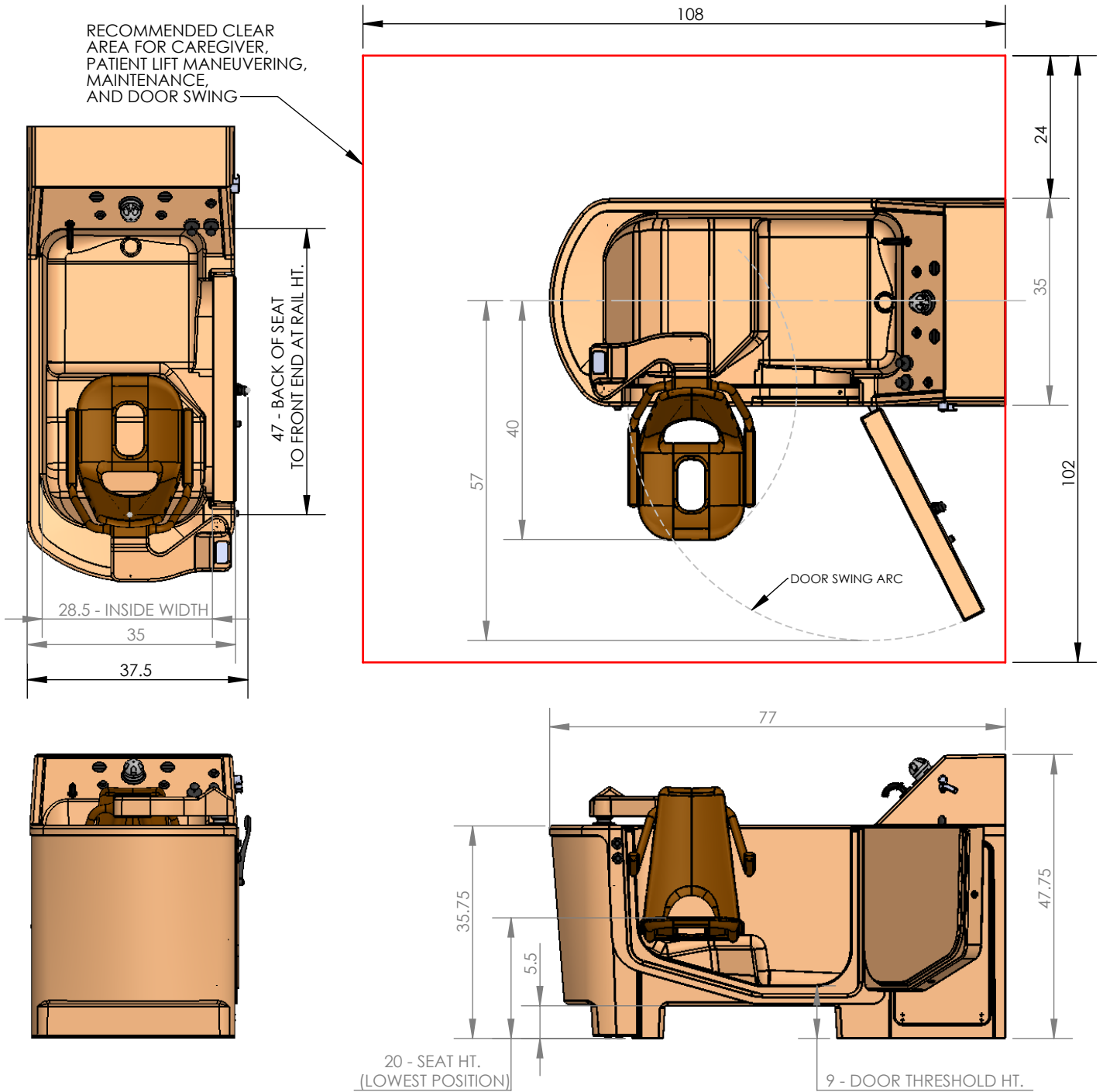


CASCADE STANDARD WITH BUILT-IN SWIVEL LIFT SIDE ENTRY SPA



TO TRANSPORT THIS TUB INTO A ROOM, THE DOOR OPENING WIDTH MUST BE 38 INCHES. HOWEVER, IT CAN BE AS SMALL AS 35 INCHES IF THE WATER DOOR AND SHOWER ELBOW ARE REMOVED FROM THE TUB PRIOR TO ENTRY.

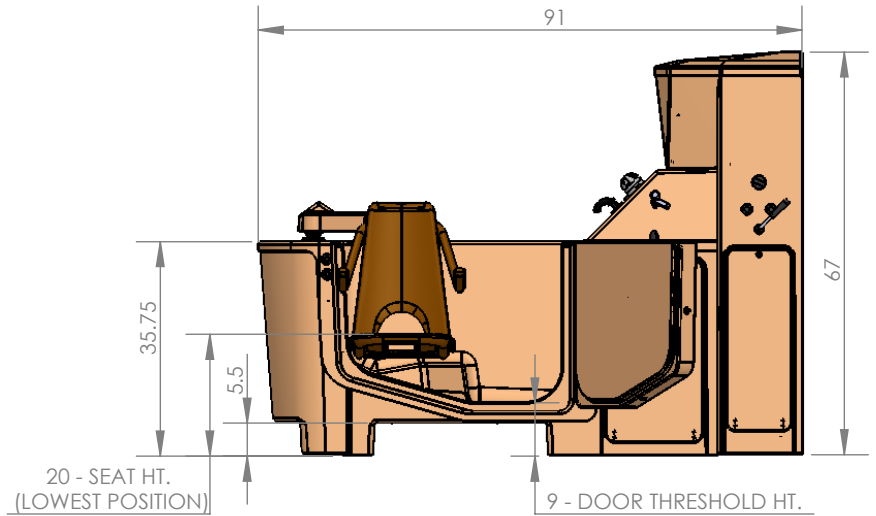
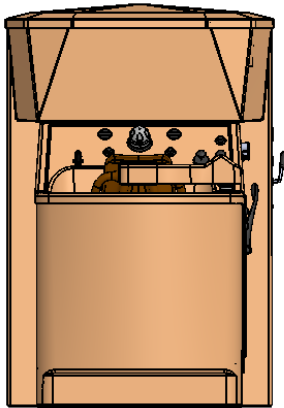
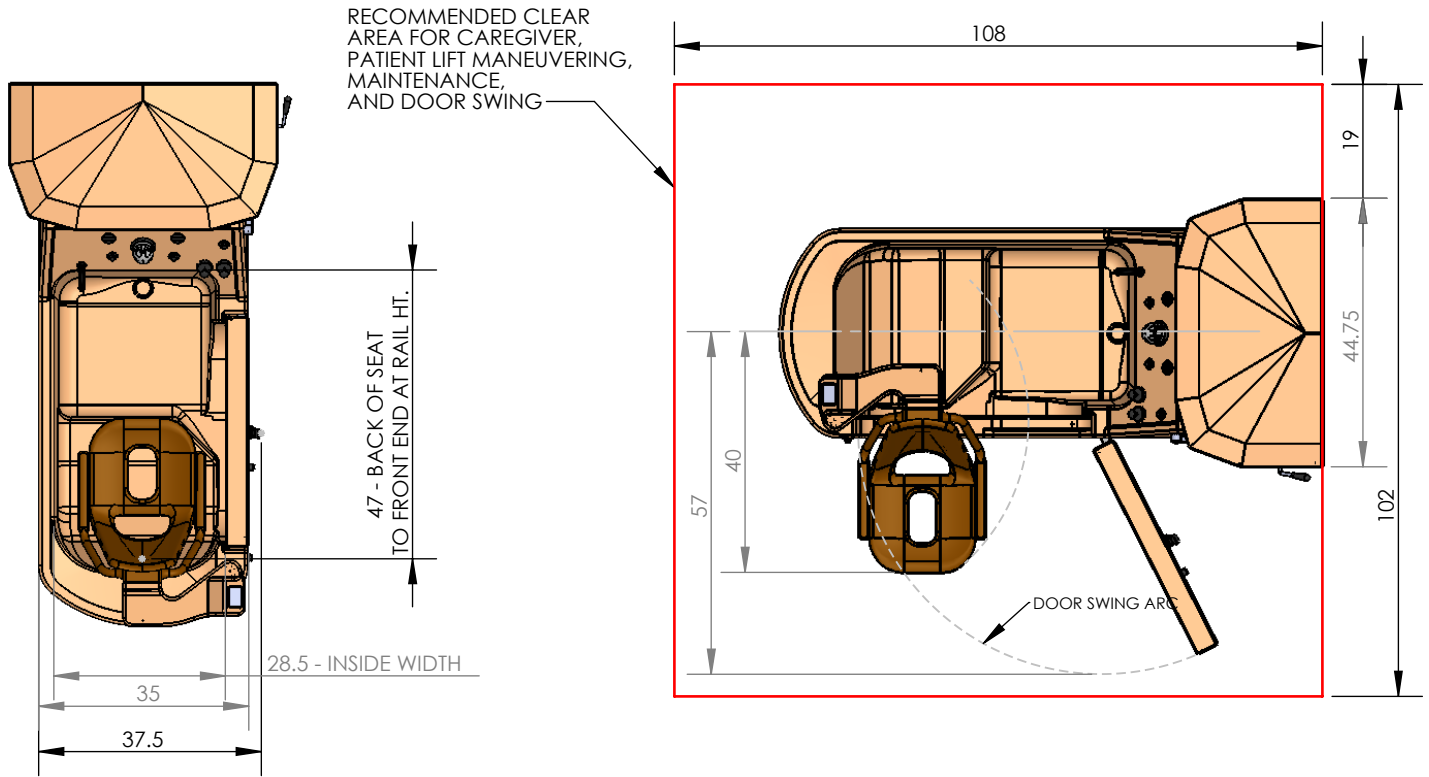
PENNER MFG INC.
102 GRANT ST.
AURORA, NE. 68818
402-694-5003

	RIGHT HAND (SHOWN)	LEFT HAND (MIRROR IMAGE)
MODEL NUMBER	360010-XWT	360010-XWTL
DESCRIPTION	CASCADE WITH BUILT IN SWIVEL LIFT - RIGHT SIDE ENTRY	CASCADE WITH BUILT IN SWIVEL LIFT - LEFT SIDE ENTRY
LIFT CAPACITY	400 LBS	400 LBS
LIFT STROKE LENGTH	12 INCHES	12 INCHES
WATER CAPACITY	100 GALLONS	100 GALLONS
FILLED TUB WEIGHT	1370 LBS	1370 LBS
TUB ONLY WEIGHT	540 LBS	540 LBS
SHIPPING WEIGHT	670 LBS	670 LBS

THE "X" IN THE MODEL NUMBER REPRESENTS A COLOR CODE

10/31/11

CASCADE STANDARD WITH BUILT-IN SWIVEL LIFT SIDE ENTRY SPA WITH RESERVOIR



TO TRANSPORT THIS TUB INTO A ROOM, THE DOOR OPENING WIDTH MUST BE 38 INCHES. HOWEVER, IT CAN BE AS SMALL AS 35 INCHES IF THE WATER DOOR AND SHOWER ELBOW ARE REMOVED FROM THE TUB PRIOR TO ENTRY.

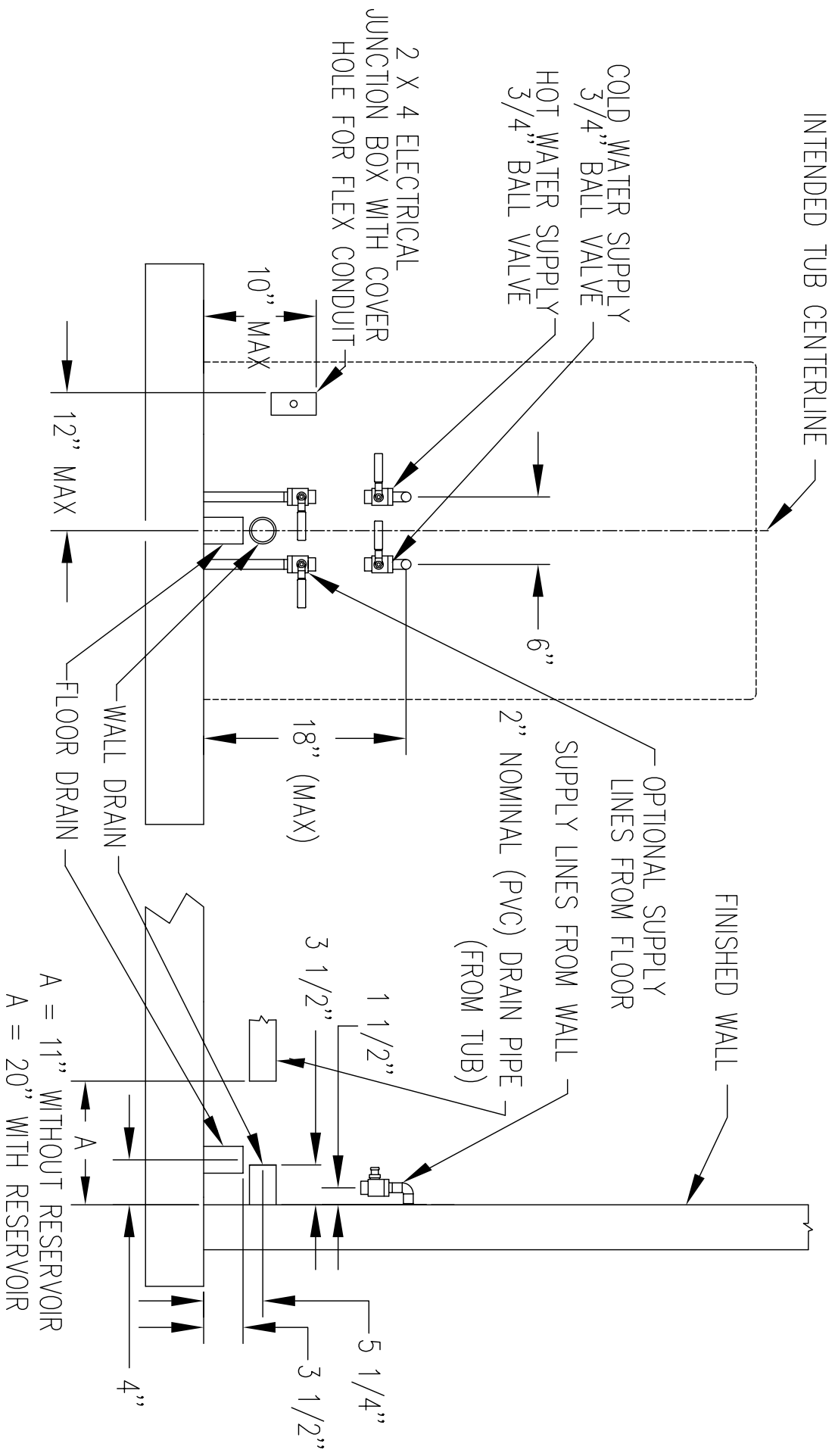
	RIGHT HAND (SHOWN)	LEFT HAND (MIRROR IMAGE)
MODEL NUMBER	360010-XWT	360010-XWTL
LIFT CAPACITY	400 LBS	400 LBS
LIFT STROKE LENGTH	12 INCHES	12 INCHES
WATER CAPACITY	100 GALLONS	100 GALLONS
FILLED TUB WEIGHT	1370 LBS	1370 LBS
DESCRIPTION	CASCADE WITH BUILT IN SWIVEL LIFT - RIGHT SIDE ENTRY	CASCADE WITH BUILT IN SWIVEL LIFT - LEFT SIDE ENTRY
TUB ONLY WEIGHT	540 LBS	540 LBS
SHIPPING WEIGHT	670 LBS	670 LBS

	RIGHT HAND (SHOWN)	LEFT HAND (MIRROR IMAGE)
MODEL NUMBER	370010-XW	370010-XWL
DESCRIPTION	RESERVOIR - WIDE (RH)	RESERVOIR - WIDE LH
RESERVOIR CAPACITY	55 GALLONS	55 GALLONS
EMPTY WEIGHT	150LBS	150LBS
FILLED WEIGHT	608 LBS	608 LBS
SHIPPING WEIGHT	265 LBS	265 LBS

THE "X" IN THE MODEL NUMBER REPRESENTS A COLOR CODE

PENNER MFG INC.
102 GRANT ST.
AURORA, NE. 68818
402-694-5003

10/31/11



PENNER MFG - CASCADE ROUGH-IN DIMENSIONS