



Instructions For Use

Instructions for Installation, Operation, Cleaning & Maintenance

2015-01 • English

T H E S I L E N T I A S C R E E N S Y S T E M



Welcome

to Silentia's instructions for use. Contact your local distributor if you have any questions.

If you need further guidance regarding installation, operation or maintenance of your screens, please contact your local distributor. Information about our distributors can be found at the end of this booklet and on the internet:
<http://www.silentia.eu>

General

Read these safety instructions carefully before installation and operation of any of the Silentia screen products. Always follow the instructions during installation, operation and maintenance. Installation, operation, servicing and other work must be carried out by qualified staff in accordance with local rules and regulations.

For personal and operational safety, use only spare parts which have been manufactured or approved by Silentia AB. Use of non-Silentia spare parts will void the warranty.

Before installation, make sure that all products/parts are present, complete and without defects.

Packaging material should be disposed of in accordance with local rules and regulations.

If you need further guidance regarding installation, operation or maintenance of your screens, please contact your local distributor. Information about our distributors can be found at the end of this booklet and on the internet:
<http://www.silentia.eu>

Product lifetime: 10 years



Warning - Warning indicates a hazard, which, if not avoided, could result in death or serious injury and/or property damage.

Operation, Cleaning and Maintenance	4
• Installation	4
• General Usage	4
• On Wall Rail with Clamps	4
• Mobile Screens	4
• Change of Installation Location	5
• Periodic Inspection	5
• Cleaning and Disinfection	5
Installation	6
• Standard Installation with Wall Mounting	6
• Standard Installation with Wall Mounting and Extension Screen	8
• Installation with 20 mm Spacers	10
• Installation with 100 or 200 mm Spacers	12
• Installation with Adjustable Spacers	14
• Installation with Clamps and Wall Mounting to a Wall Rail	16
• Installation with Clamp and Back Support	18
• Installation with Clamps and Wall Mounting with Floor Support to a Wall Rail	20
• Installation of Fixed Screen with Wall Mounting and Floor Pole	22
• Installation of Fixed Screen with Two Floor Poles	24
• Installation of Folding Screen together with Fixed Screen	25
• Installation of Folding Screen with Floor Pole	26
• Installation with Trolley for One Screen	28
• Installation with Trolley for Two Screens	30
• Installation of Mobile Bed End Screen	32
• Installation of Shower Screen	34
Local Distributors	36
Form for Regular Inspection	39

Operation, Cleaning and Maintenance

Installation

Follow the installation instructions for the appropriate mounting method to make sure that the screen is installed correctly and safely.

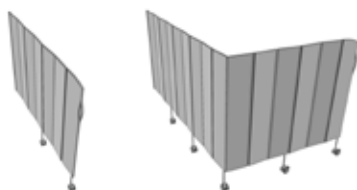
The installation staff are responsible for ensuring that the fasteners are suitable for the wall and floor, that the wall and floor are in good condition, and that the wall, floor and fasteners can support the weight of the screen system and other forces that may occur during normal use.

The screens are designed to be used **indoors** on smooth, level flooring. Installation and use on floors that are not horizontal may be unsafe and will void the warranty.

General Usage

Do not cover, lean on, or use the screens as a support for equipment or any other device. They are designed for screening off the view, and may be damaged by any other use.

When the foldable screen has been extended to the desired length - only apply the brake to the end wheel (if a corner is required, also apply the brake to the corner wheel). The longest screens (12-15 sections) are intended for use in an L-shape around the bed.

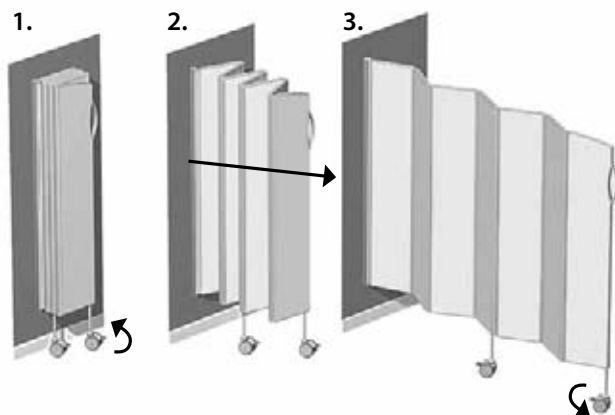


1-11 sections 12-15 sections

Before moving or extending a screen, please ensure that all brakes are off.



Note: The screens must not be used in MRI scanning rooms.

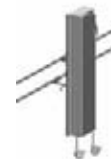


Before you raise a bed that is close to the screen, make sure that no part of the bed projects beneath the screen. The powerful lifting action of the bed can damage the screen, its accessories, and/or its mountings. As a result, the screen could fall over and cause injury to patients or staff.



On Wall Rail with Clamps

Screens attached to a wall rail can be moved sideways along the wall rail if the wing nuts securing the clamps in position on the wall rail are slightly loosened. When the screen has been moved to the new location, tighten the wing nuts again to secure the screen.



Mobile Screens

Before extending a screen installed on a trolley, please ensure that all the **brakes of the trolley wheels are on**, and that the brakes of the screen wheels are off.



Mobile screens should always be moved with care. If they are moved violently, they may tip and fall over someone. Special care must be taken when moving the screen over thresholds and other places where the floor is uneven.

Do not climb onto the wheel base, lean on the screens or use them as a support. If you do, the mobile screen may start moving or tip over, causing you to fall.

1. Release the brakes of all wheels.
2. Pull out the screen.
3. Apply the brake to the end wheel.

Change of Installation Location

The folding screens can easily be transferred between different installation options, due to the EasyClick™ system, if you follow these instructions. Fold the screen. Loosen the torx screw (T20) that secures the spring-loaded pin at the top of the screen, if it has been tightened. Detach the screen from the wall mounting, floor pole or trolley by pressing down the screw to lower the upper pin and release the screen. Be careful when detaching the screen. It may move away from you and fall when it is no longer attached. Move the screen to its new location and re-install it according to the installation instructions.

Periodic Inspection

Screens should be checked regularly (at least every 6 months) as follows:

- Check that the wall mountings (and spacers) are securely fixed to the wall
- Check that all nuts and screws are tight
- Check that the spring-loaded pin in the top corner of the screen is correctly attached to the wall mounting, trolley or floor pole
- Check that the wheels are in good condition
- Do an overall check of the screen and its accessories to find any irregularities

There is a form at the back of this manual that can be used for documentation.

Cleaning and Disinfection

Once a week or as required, clean the screens with warm water and ethanol, or common surface cleaners or disinfectants. **Do not use a lot of water**, a damp cloth with your cleaner is sufficient. Do not use abrasive cleaners.

The wheels are easily removed from the screen, by following these instructions, and can be cleaned in a dishwasher. Fold the screen. Loosen the torx screw (T20) that secures the spring-loaded pin at the top of the screen, if it has been tightened. Detach the screen from the wall mounting, floor pole or trolley by pressing down the screw to lower the upper pin and release the screen. If the screen is attached with clamps, you can open the clamps to release the wall mounting together with the screen instead of detaching the screen from the wall mounting. Be careful when detaching the screen. It may move away from you and fall when it is no longer attached. Lay down the screen in a suitable area and pull out the wheels. Clean the wheels. If necessary, drip some oil on the wheel axle before replacing the wheel. Re-install the screen according to the installation instructions.

Please note: The screens are not suitable for steam cleaning or cleaning in a dishwasher or bed wash, as this will damage the panels.

Standard Installation with Wall Mounting

The installation staff are responsible for ensuring that the fasteners are suitable for the wall, that the wall is in good condition, and that the wall and fasteners can support the weight of the screen system and other forces that may occur during normal use.

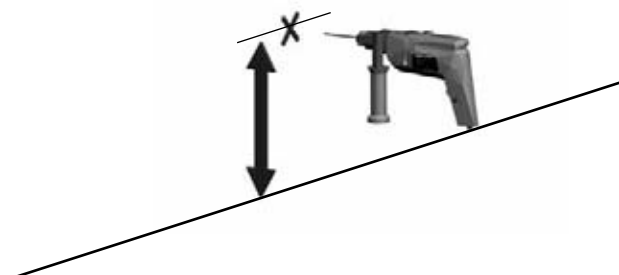
Art. No.
6105 - 6115
6205 - 6215
6305 - 6315
6539, 6544,
6540

The screens are designed to be used **indoors** on smooth, level flooring. Installation and use on floors that are not horizontal may be unsafe and will void the warranty.

1.

1. Mark and drill a hole for the lower fastening screw.
 Distance from floor: 310 mm for screen of 1.45 m height, 410 mm for screen of 1.65 m or 1.85 m height.

Screen height	Distance from floor
1.85 m	410 mm
1.65 m	410 mm
1.45 m	310 mm



2.

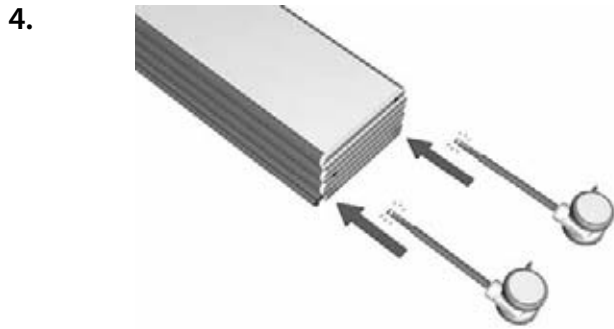
3.

2. Fasten the lower end of the wall mounting to the wall. The upper end of the wall mounting is marked by an arrow and the word UP.

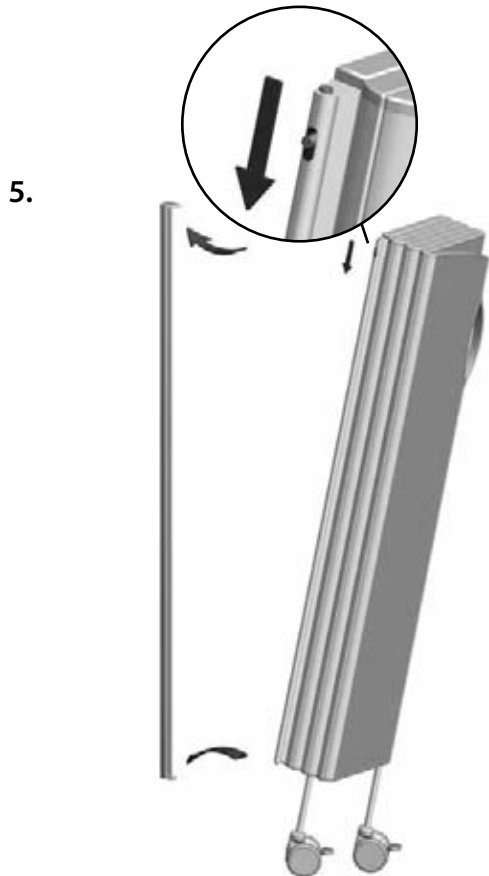
3. Make sure the wall mounting **is vertical**. Mark and drill a hole for the upper end of the wall mounting and fasten it to the wall.

6539
 6544
 6540





4. Push the wheels into the screen. Make sure the wheels are inserted into all the wheel holes.



5. Attach the screen by inserting the bottom pin of the screen into the bottom hole of the wall mounting. Press the upper pin down using the torx screw on the side to get the pin into the upper hole.

If needed, the torx screw (T20) can be tightened to prevent anyone from detaching the screen accidentally. Make sure the screw is in the **top position** after tightening it.

The longest screens (12-15 sections) are intended for use in an L-shape around the bed.

Art. No.	Weight	Art. No.	Weight	Art. No.	Weight	No. of Wheels
6105	8.5 kg	6205	10 kg	6305	11.5 kg	1
6106	10.5 kg	6206	12 kg	6306	13.5 kg	2
6107	12 kg	6207	14 kg	6307	16 kg	2
6108	13.5 kg	6208	16 kg	6308	18 kg	2
6109	15.5 kg	6209	18 kg	6309	20.5 kg	3
6110	17 kg	6210	19.5 kg	6310	22.5 kg	3
6111	18.5 kg	6211	21.5 kg	6311	24.5 kg	3
6112	20 kg	6212	24 kg	6312	27 kg	4
6113	22 kg	6213	25.5 kg	6313	29 kg	4
6114	24 kg	6214	27.5 kg	6314	31.5 kg	4
6115	25.5 kg	6215	29.5 kg	6315	33.5 kg	5

Standard Installation with Wall Mounting and Extension Screen

The installation staff are responsible for ensuring that the fasteners are suitable for the wall, that the wall is in good condition, and that the wall and fasteners can support the weight of the screen system and other forces that may occur during normal use.

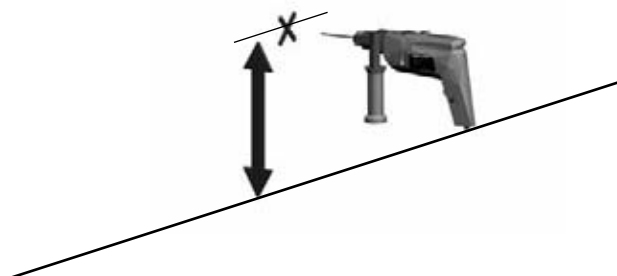
The screens are designed to be used **indoors** on smooth, level flooring. Installation and use on floors that are not horizontal may be unsafe and will void the warranty.

Art. No.
6162 - 6165
6262- 6265
6362 - 6365
6105 - 6115
6205 - 6215
6305 - 6315
6539, 6544,
6540

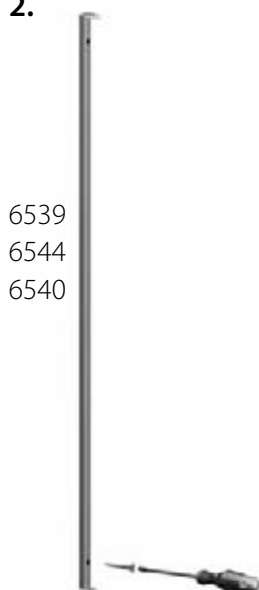
1.

1. Mark and drill a hole for the lower fastening screw. Distance from floor: 310 mm for screen of 1.45 m height, 410 mm for screen of 1.65 m or 1.85 m height.

Screen height	Distance from floor
1.85 m	410 mm
1.65 m	410 mm
1.45 m	310 mm



2.



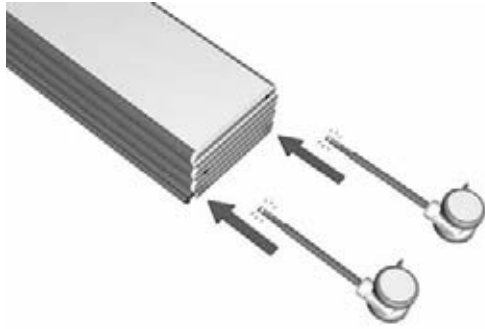
3.



2. Fasten the lower end of the wall mounting to the wall. The upper end of the wall mounting is marked by an arrow and the word UP.

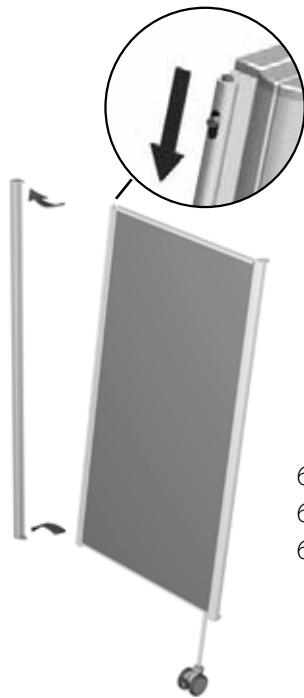
3. Make sure the wall mounting **is vertical**. Mark and drill a hole for the upper end of the wall mounting and fasten it to the wall.

4.



4. Push the wheels into the screen. Make sure the wheels are inserted into all the wheel holes.

5.



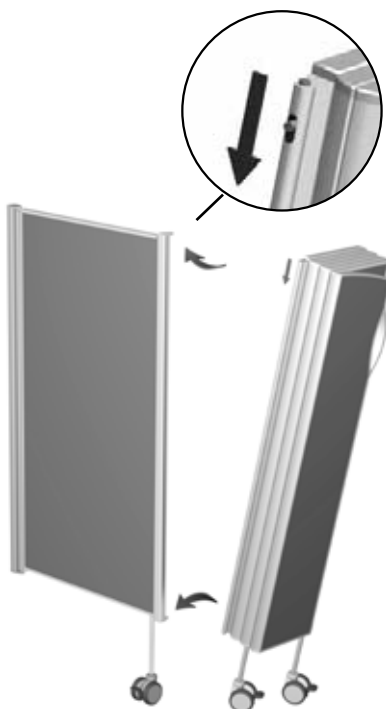
5. Attach the screen by inserting the bottom pin of the screen into the bottom hole of the wall mounting. Press the upper pin down using the torx screw on the side to get the pin into the upper hole.

If needed, the torx screw (T20) can be tightened to prevent anyone from detaching the screen accidentally. Make sure the screw is in the **top position** after tightening it.

6. Attach the screen to the extension screen in the same way as the extension screen was attached to the wall mounting.

6162 - 6165
6262 - 6265
6362 - 6365

6.



The longest screens (12-15 sections) are intended for use in an L-shape around the bed.

Art. No.	Weight	No. of Wheels
6162	3.5 kg	1
6163	5 kg	1
6164	6 kg	1
6165	7.5 kg	1
6262	3.5 kg	1
6263	5.5 kg	1
6264	7 kg	1
6265	8 kg	1
6362	4 kg	1
6363	6 kg	1
6364	7.5 kg	1
6365	9 kg	1

Installation with 20 mm Spacers

The installation staff are responsible for ensuring that the fasteners are suitable for the wall, that the wall is in good condition, and that the wall and fasteners can support the weight of the screen system and other forces that may occur during normal use.

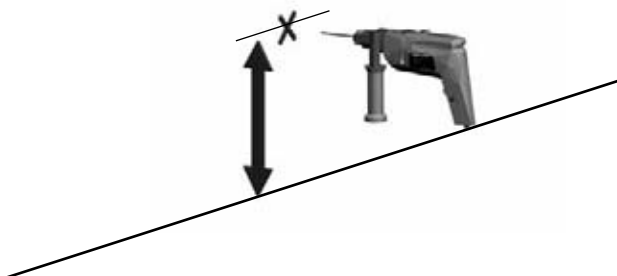
The screens are designed to be used **indoors** on smooth, level flooring. Installation and use on floors that are not horizontal may be unsafe and will void the warranty.

Art. No.
6506
6105 - 6115
6205 - 6215
6305 - 6315
6539, 6544,
6540

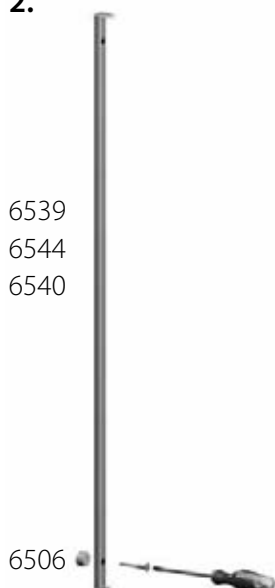
1.

1. Mark and drill a hole for the lower fastening screw.
 Distance from floor: 310 mm for screen of 1.45 m height, 410 mm for screen of 1.65 m or 1.85 m height.

Screen height	Distance from floor
1.85 m	410 mm
1.65 m	410 mm
1.45 m	310 mm



2.

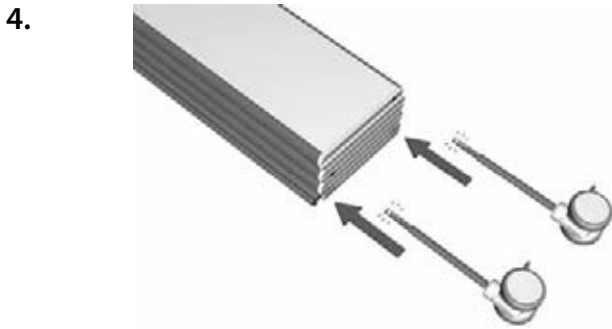


3.

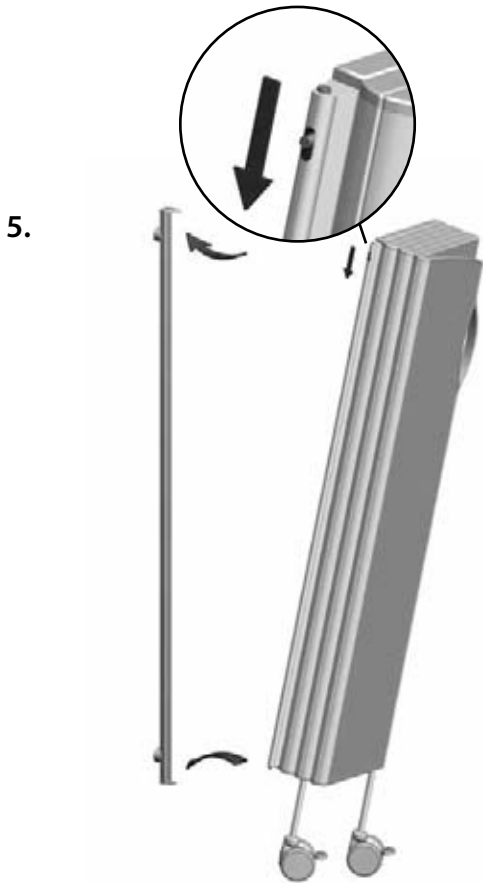


2. Fasten the lower end of the wall mounting to the wall, placing the spacer between the wall mounting and the wall. The upper end of the wall mounting is marked by an arrow and the word UP.

3. Make sure the wall mounting **is vertical**. Mark and drill a hole for the upper end of the wall mounting and fasten it to the wall.



4. Push the wheels into the screen. Make sure the wheels are inserted into all the wheel holes.



5. Attach the screen by inserting the bottom pin of the screen into the bottom hole of the wall mounting. Press the upper pin down using the torx screw on the side to get the pin into the upper hole.

If needed, the torx screw (T20) can be tightened to prevent anyone from detaching the screen accidentally. Make sure the screw is in the **top position** after tightening it.

The longest screens (12-15 sections) are intended for use in an L-shape around the bed.

Art. No.	Weight	Art. No.	Weight	Art. No.	Weight	No. of Wheels
6105	8.5 kg	6205	10 kg	6305	11.5 kg	1
6106	10.5 kg	6206	12 kg	6306	13.5 kg	2
6107	12 kg	6207	14 kg	6307	16 kg	2
6108	13.5 kg	6208	16 kg	6308	18 kg	2
6109	15.5 kg	6209	18 kg	6309	20.5 kg	3
6110	17 kg	6210	19.5 kg	6310	22.5 kg	3
6111	18.5 kg	6211	21.5 kg	6311	24.5 kg	3
6112	20 kg	6212	24 kg	6312	27 kg	4
6113	22 kg	6213	25.5 kg	6313	29 kg	4
6114	24 kg	6214	27.5 kg	6314	31.5 kg	4
6115	25.5 kg	6215	29.5 kg	6315	33.5 kg	5

Installation with 100 or 200 mm Spacers

The installation staff are responsible for ensuring that the fasteners are suitable for the wall, that the wall is in good condition, and that the wall and fasteners can support the weight of the screen system and other forces that may occur during normal use.

The screens are designed to be used **indoors** on smooth, level flooring. Installation and use on floors that are not horizontal may be unsafe and will void the warranty.

Art. No.
6507, 6508
6105 - 6115
6205 - 6215
6305 - 6315
6539, 6544,
6540

1.

1. Mark and drill holes for the lower fastening screws. Distance from floor: 310 mm for screen of 1.45 m height, 410 mm for screen of 1.65 m or 1.85 m height.

Screen height	Distance from floor
1.85 m	410 mm
1.65 m	410 mm
1.45 m	310 mm

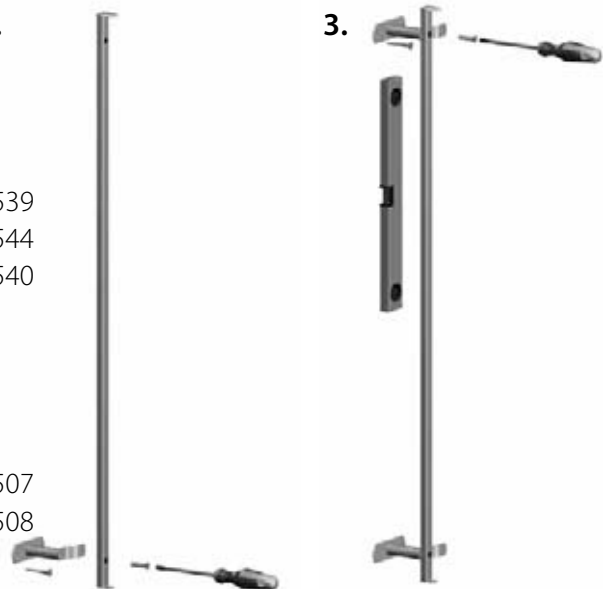


2.

6539
6544
6540

3.

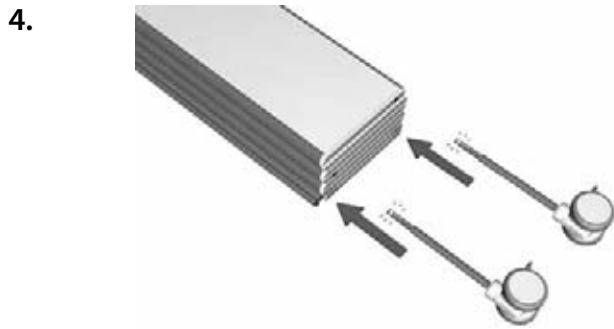
6507
6508



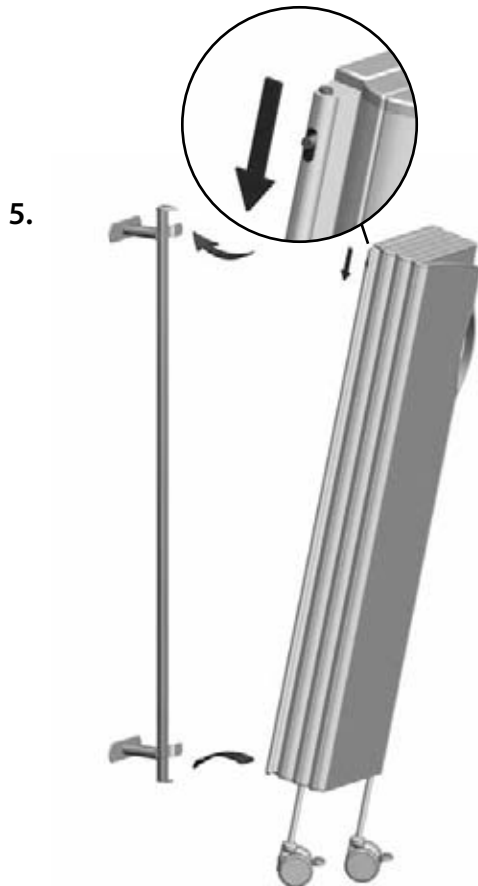
2. Fasten the lower spacer to the wall. Fasten the lower end of the wall mounting to the spacer. The upper end of the wall mounting is marked by an arrow and the word UP.

To function correctly, the spacer must be positioned with the protruding stop to the right, unless you have a reversed model screen, in which case the stop should be to the left.

3. Fasten the other spacer to the upper end of the wall mounting. Make sure the wall mounting **is vertical**. Mark and drill holes for the spacer and fasten it to the wall.



4. Push the wheels into the screen. Make sure the wheels are inserted into all the wheel holes.



5. Attach the screen by inserting the bottom pin of the screen into the bottom hole of the wall mounting. Press the upper pin down using the torx screw on the side to get the pin into the upper hole.

If needed, the torx screw (T20) can be tightened to prevent anyone from detaching the screen accidentally. Make sure the screw is in the **top position** after tightening it.

The longest screens (12-15 sections) are intended for use in an L-shape around the bed.

Art. No.	Weight	Art. No.	Weight	Art. No.	Weight	No. of Wheels
6105	8.5 kg	6205	10 kg	6305	11.5 kg	1
6106	10.5 kg	6206	12 kg	6306	13.5 kg	2
6107	12 kg	6207	14 kg	6307	16 kg	2
6108	13.5 kg	6208	16 kg	6308	18 kg	2
6109	15.5 kg	6209	18 kg	6309	20.5 kg	3
6110	17 kg	6210	19.5 kg	6310	22.5 kg	3
6111	18.5 kg	6211	21.5 kg	6311	24.5 kg	3
6112	20 kg	6212	24 kg	6312	27 kg	4
6113	22 kg	6213	25.5 kg	6313	29 kg	4
6114	24 kg	6214	27.5 kg	6314	31.5 kg	4
6115	25.5 kg	6215	29.5 kg	6315	33.5 kg	5

Installation with Adjustable Spacers

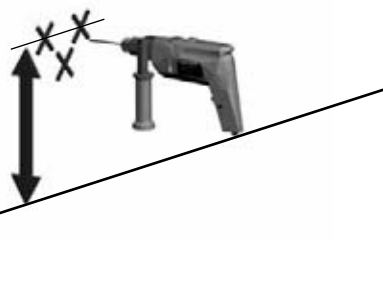
The installation staff are responsible for ensuring that the fasteners are suitable for the wall, that the wall is in good condition, and that the wall and fasteners can support the weight of the screen system and other forces that may occur during normal use.

Art. No.
6509, 6510
6105 - 6115
6205 - 6215
6305 - 6315
6539, 6544,
6540

The screens are designed to be used **indoors** on smooth, level flooring. Installation and use on floors that are not horizontal may be unsafe and will void the warranty.

1.

Screen height	Distance from floor
1.85 m	410 mm
1.65 m	410 mm
1.45 m	310 mm



1. Mark and drill holes for the lower fastening screws. Distance from floor: 310 mm for screen of 1.45 m height, 410 mm for screen of 1.65 m or 1.85 m height.

2. Two spacers

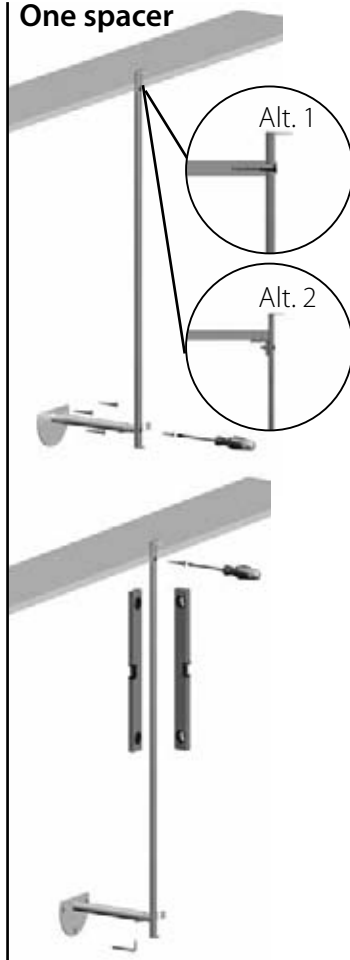
6539
6544
6540

6509
6510

3.



One spacer

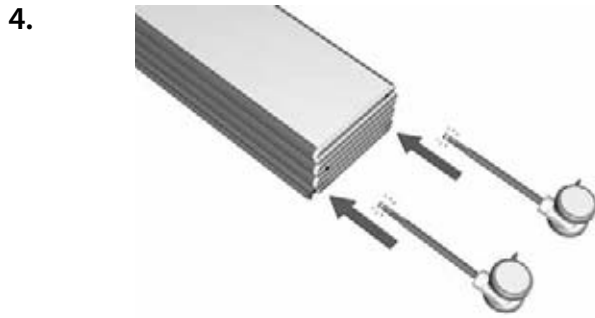


2. Fasten the lower spacer to the wall. Fasten the lower end of the wall mounting to the spacer. The upper end of the wall mounting is marked by an arrow and the word UP.

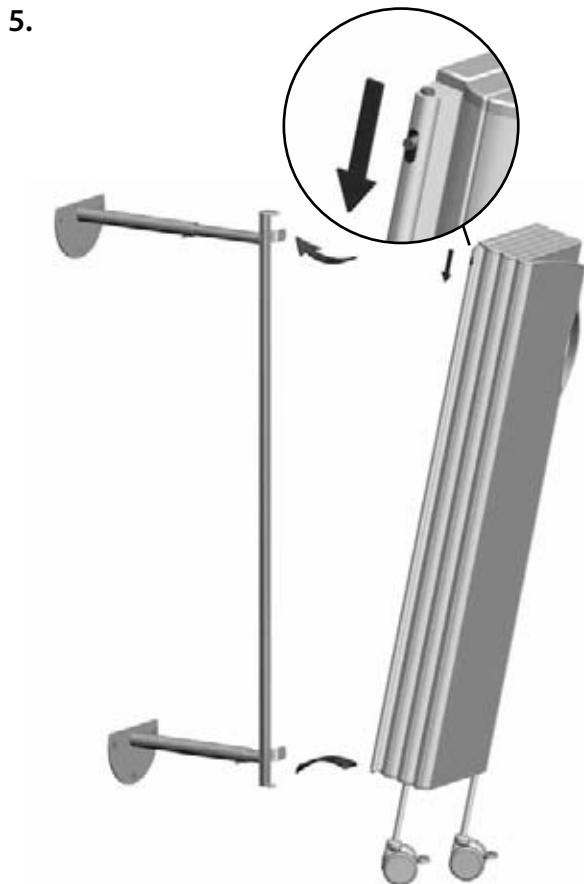
To function correctly, the spacer must be positioned with the protruding stop to the right, unless you have a reversed model screen, in which case the stop should be to the left.

3. Two spacers: Fasten the wall mounting to the upper spacer. Adjust the spacers to the desired length and lock them in position by tightening the hex socket screw securely. Make sure the wall mounting **is vertical in both directions**, by adjusting the length of the spacers and the fastening points of the upper spacer. Mark and drill holes for the upper spacer and fasten it to the wall.

One spacer: Make sure the wall mounting **is vertical in both directions**, by adjusting the length of the spacer and the fastening point to the shelf. Fasten the upper end of the wall mounting to the shelf and tighten the hex socket screw under the adjustable spacer securely, to lock it in the correct position. The wall mounting can either be fastened directly to the shelf (Alt. 1) or to a bracket (Alt. 2) (bracket is not included). You may need to make a new hole in the wall mounting at the level of the shelf.



4. Push the wheels into the screen. Make sure the wheels are inserted into all the wheel holes.



5. Attach the screen by inserting the bottom pin of the screen into the bottom hole of the wall mounting. Press the upper pin down using the torx screw on the side to get the pin into the upper hole.

If needed, the torx screw (T20) can be tightened to prevent anyone from detaching the screen accidentally. Make sure the screw is in the **top position** after tightening it.

The longest screens (12-15 sections) are intended for use in an L-shape around the bed.

Art. No.	Weight	Art. No.	Weight	Art. No.	Weight	No. of Wheels
6105	8.5 kg	6205	10 kg	6305	11.5 kg	1
6106	10.5 kg	6206	12 kg	6306	13.5 kg	2
6107	12 kg	6207	14 kg	6307	16 kg	2
6108	13.5 kg	6208	16 kg	6308	18 kg	2
6109	15.5 kg	6209	18 kg	6309	20.5 kg	3
6110	17 kg	6210	19.5 kg	6310	22.5 kg	3
6111	18.5 kg	6211	21.5 kg	6311	24.5 kg	3
6112	20 kg	6212	24 kg	6312	27 kg	4
6113	22 kg	6213	25.5 kg	6313	29 kg	4
6114	24 kg	6214	27.5 kg	6314	31.5 kg	4
6115	25.5 kg	6215	29.5 kg	6315	33.5 kg	5

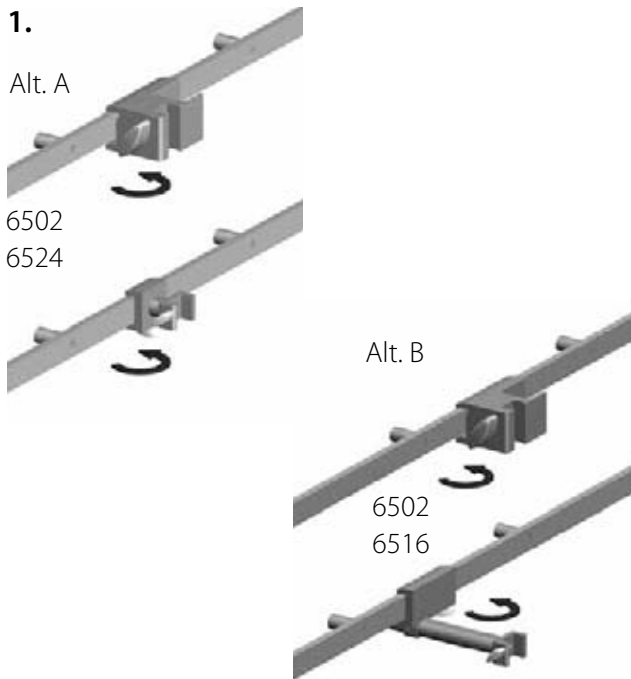
Installation with Clamps and Std. Wall Mounting

The installation staff are responsible for ensuring that the wall rails are correctly installed, that the wall is in good condition, and that the wall and wall rails can support the weight of the screen system and other forces that may occur during normal use.

The screens are designed to be used **indoors** on smooth, level flooring. Installation and use on floors that are not horizontal may be unsafe and will void the warranty.

For ease of use it is recommended that screens are mounted on two wall rails. If a single wall rail is used, it should be installed at the same height as the handle on the screen. Otherwise it is recommended that a back support (6519) or adjustable spacer (6509, 6510) is fitted.

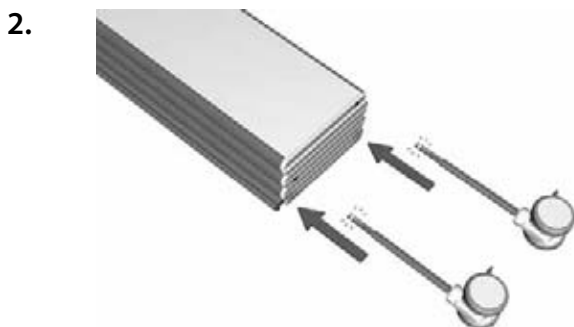
Art. No.
6502, 6535
6524, 6516
6105 - 6115
6205 - 6215
6305 - 6315
6539, 6544,
6540



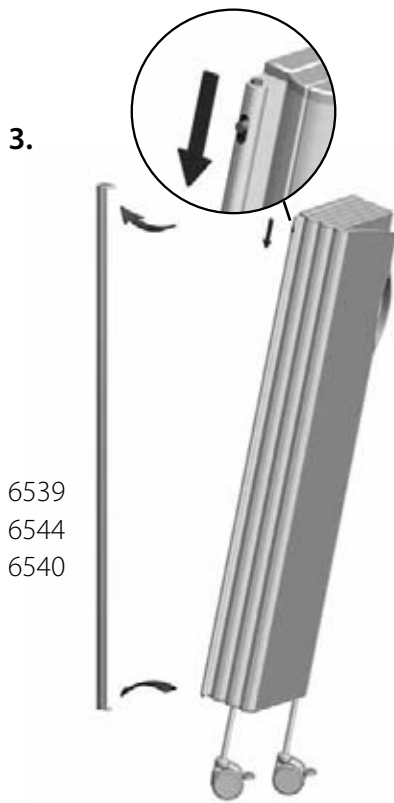
1. Mount the clamp to the upper wall rail and the support clamp to the lower wall rail, aligning the openings vertically on top of each other. **Tighten the wing nuts** under the clamps properly, to prevent them from sliding sideways on the rails or falling down.

Alt. A: The wall rails are at the same distance from the wall.

Alt. B: The wall rails are at different distances from the wall.



2. Push the wheels into the screen. Make sure the wheels are inserted into all the wheel holes.

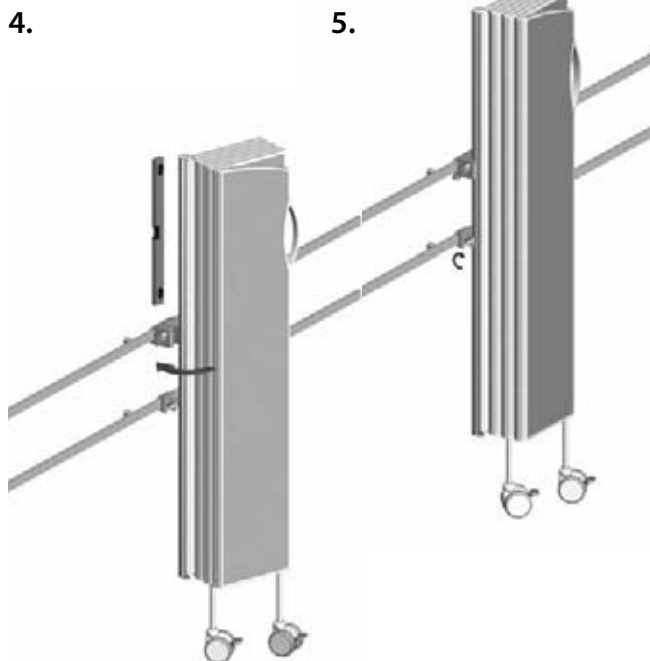


3.

6539
6544
6540

3. Attach the wall mounting to the screen by inserting the bottom pin of the screen into the bottom hole of the wall mounting. Press the upper pin down using the torx screw on the side to get the pin into the upper hole.

If needed, the torx screw (T20) can be tightened to prevent anyone from detaching the screen accidentally. Make sure the screw is in the **top position** after tightening it.



4.

5.

4. Insert the wall mounting into the clamps. Make sure it is **vertical in both directions**. For adjustable clamp (Alt. B): Tighten the hex socket screws securely underneath the adjustable clamp to lock it in the correct position.

5. **Tighten the wing nuts** on the clamps securely to lock the wall mounting inside and prevent the wall mounting from sliding vertically in the clamps.

The longest screens (12-15 sections) are intended for use in an L-shape around the bed.

Art. No.	Weight	Art. No.	Weight	Art. No.	Weight	No. of Wheels
6105	8.5 kg	6205	10 kg	6305	11.5 kg	1
6106	10.5 kg	6206	12 kg	6306	13.5 kg	2
6107	12 kg	6207	14 kg	6307	16 kg	2
6108	13.5 kg	6208	16 kg	6308	18 kg	2
6109	15.5 kg	6209	18 kg	6309	20.5 kg	3
6110	17 kg	6210	19.5 kg	6310	22.5 kg	3
6111	18.5 kg	6211	21.5 kg	6311	24.5 kg	3
6112	20 kg	6212	24 kg	6312	27 kg	4
6113	22 kg	6213	25.5 kg	6313	29 kg	4
6114	24 kg	6214	27.5 kg	6314	31.5 kg	4
6115	25.5 kg	6215	29.5 kg	6315	33.5 kg	5

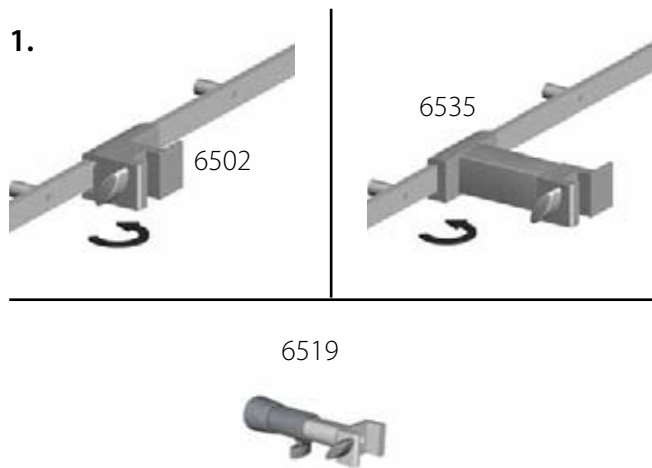
Installation with Clamp and Back Support

The installation staff are responsible for ensuring that the wall rails are correctly installed, that the wall is in good condition, and that the wall and wall rails can support the weight of the screen system and other forces that may occur during normal use.

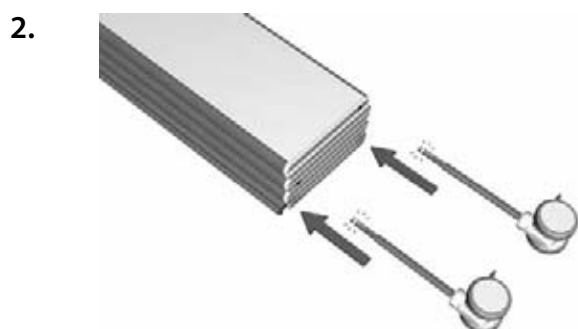
The screens are designed to be used **indoors** on smooth, level flooring. Installation and use on floors that are not horizontal may be unsafe and will void the warranty.

For ease of use it is recommended that screens are mounted on two wall rails. If a single wall rail is used, it should be installed at the same height as the handle on the screen. Otherwise it is recommended that a back support (6519) or adjustable spacer (6509, 6510) is fitted.

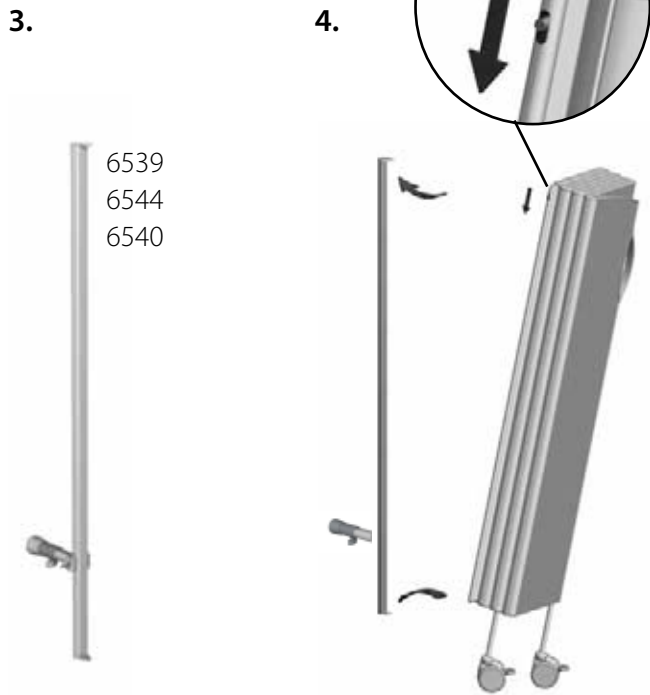
Art. No.
6502, 6535
6519
6105 - 6115
6205 - 6215
6305 - 6315
6539, 6544,
6540



1. Mount the clamp to the wall rail. **Tighten the wing nuts** under the clamp properly, to prevent the clamp from sliding sideways on the rail or falling down.



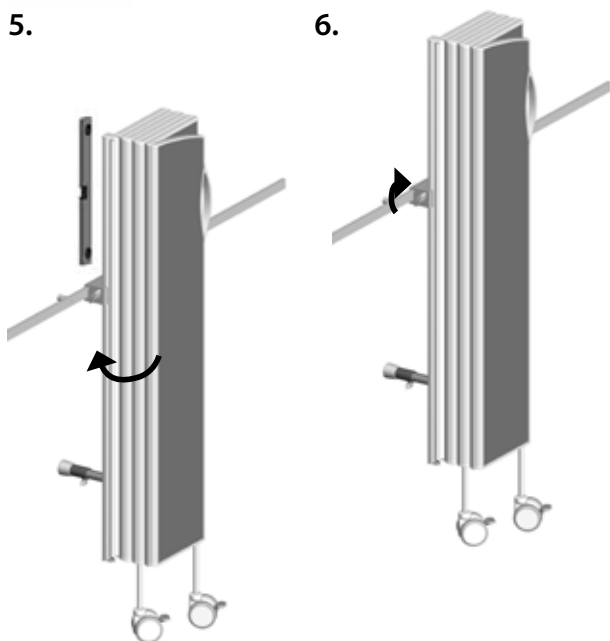
2. Push the wheels into the screen. Make sure the wheels are inserted into all the wheel holes.



3. Insert the wall mounting into the back support and tighten the wing nut properly to lock the wall mounting inside and prevent it from sliding vertically.

4. Attach the wall mounting to the screen by inserting the bottom pin of the screen into the bottom hole of the wall mounting. Press the upper pin down using the torx screw on the side to get the pin into the upper hole.

If needed, the torx screw (T20) can be tightened to prevent anyone from detaching the screen accidentally. Make sure the screw is in the **top position** after tightening it.



5. Insert the wall mounting into the clamp. Make sure it is **vertical in both directions**.

Adjust the length of the back support to make the support rest on the wall when the wall mounting is vertical. Tighten the hex socket screw underneath securely to lock it in the correct position.

6. Tighten the wing nut on the clamp securely to lock the wall mounting inside and prevent the wall mounting from sliding vertically in the clamp.

The longest screens (12-15 sections) are intended for use in an L-shape around the bed.

Art. No.	Weight	Art. No.	Weight	Art. No.	Weight	No. of Wheels
6105	8.5 kg	6205	10 kg	6305	11.5 kg	1
6106	10.5 kg	6206	12 kg	6306	13.5 kg	2
6107	12 kg	6207	14 kg	6307	16 kg	2
6108	13.5 kg	6208	16 kg	6308	18 kg	2
6109	15.5 kg	6209	18 kg	6309	20.5 kg	3
6110	17 kg	6210	19.5 kg	6310	22.5 kg	3
6111	18.5 kg	6211	21.5 kg	6311	24.5 kg	3
6112	20 kg	6212	24 kg	6312	27 kg	4
6113	22 kg	6213	25.5 kg	6313	29 kg	4
6114	24 kg	6214	27.5 kg	6314	31.5 kg	4
6115	25.5 kg	6215	29.5 kg	6315	33.5 kg	5

Installation with Clamps and Wall Mounting with Floor Support

The installation staff are responsible for ensuring that the wall rails are correctly installed, that the wall is in good condition, and that the wall and wall rails can support the weight of the screen system and other forces that may occur during normal use.

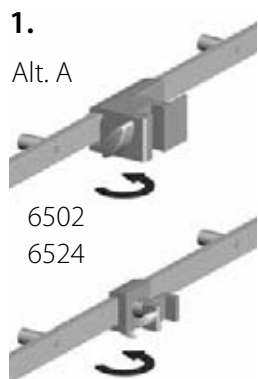
The screens are designed to be used **indoors** on smooth, level flooring. Installation and use on floors that are not horizontal may be unsafe and will void the warranty.

For ease of use it is recommended that screens are mounted on two wall rails. If a single wall rail is used, it should be installed at the same height as the handle on the screen. Otherwise it is recommended that a back support (6519) or adjustable spacer (6509, 6510) is fitted.

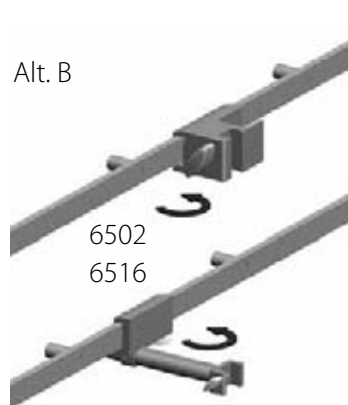
Art. No.
6502, 6535
6524, 6516
6105 - 6115
6205 - 6215
6305 - 6315
6537, 6545,
6538

1.

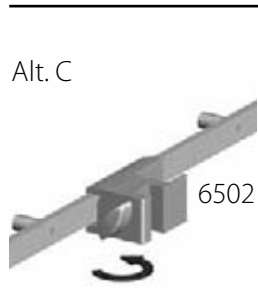
Alt. A



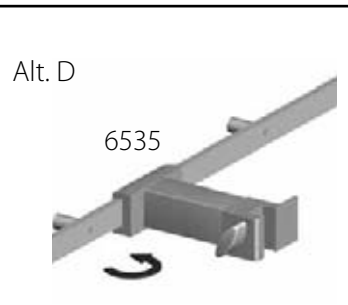
Alt. B



Alt. C



Alt. D



1. Mount the clamp to the upper wall rail and the support clamp to the lower wall rail, aligning the openings vertically on top of each other. **Tighten the wing nuts** under the clamps properly, to prevent them from sliding sideways on the rails or falling down.

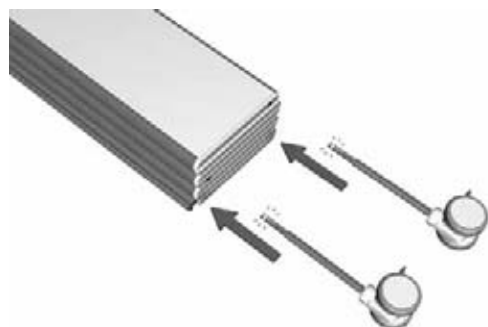
Alt. A: The wall rails are at the same distance from the wall.

Alt. B: The wall rails are at different distances from the wall.

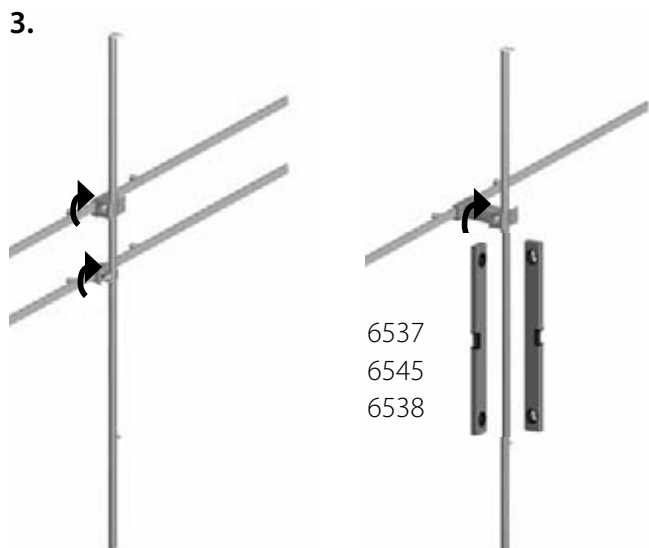
Alt. C: Only one wall rail, Standard clamp.

Alt. D: Only one wall rail, Clamp with spacer.

2.

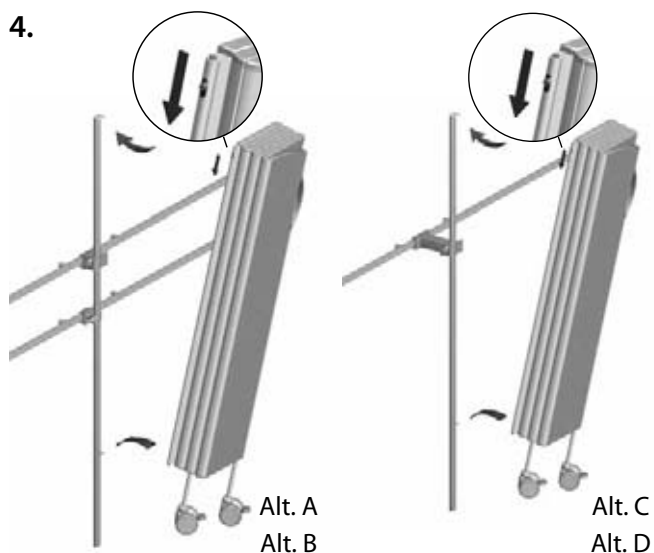


2. Push the wheels into the screen. Make sure the wheels are inserted into all the wheel holes.



3. Insert the wall mounting into the clamps, allowing the wall mounting to rest on the floor. Make sure it is **vertical in both directions**. For adjustable clamp (Alt.B): Tighten the hex socket screws securely underneath the adjustable clamp to lock it in the correct position.

Tighten the wing nuts on the clamps securely to lock the wall mounting inside and prevent the wall mounting from sliding vertically in the clamps.



4. Attach the screen by inserting the bottom pin of the screen into the bottom hole of the wall mounting. Press the upper pin down using the torx screw on the side to get the pin into the upper hole.

If needed, the torx screw (T20) can be tightened to prevent anyone from detaching the screen accidentally. Make sure the screw is in the **top position** after tightening it.

The longest screens (12-15 sections) are intended for use in an L-shape around the bed.

Art. No.	Weight	Art. No.	Weight	Art. No.	Weight	No. of Wheels
6105	8.5 kg	6205	10 kg	6305	11.5 kg	1
6106	10.5 kg	6206	12 kg	6306	13.5 kg	2
6107	12 kg	6207	14 kg	6307	16 kg	2
6108	13.5 kg	6208	16 kg	6308	18 kg	2
6109	15.5 kg	6209	18 kg	6309	20.5 kg	3
6110	17 kg	6210	19.5 kg	6310	22.5 kg	3
6111	18.5 kg	6211	21.5 kg	6311	24.5 kg	3
6112	20 kg	6212	24 kg	6312	27 kg	4
6113	22 kg	6213	25.5 kg	6313	29 kg	4
6114	24 kg	6214	27.5 kg	6314	31.5 kg	4
6115	25.5 kg	6215	29.5 kg	6315	33.5 kg	5

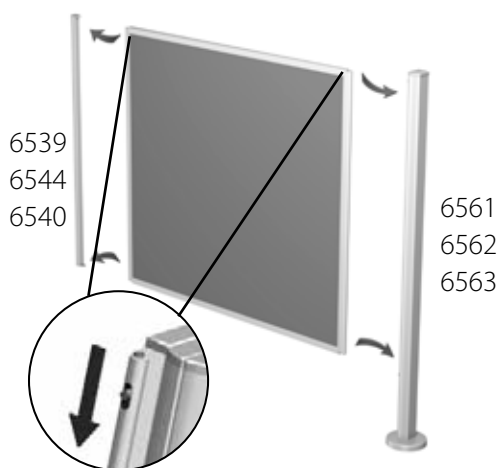
Installation of Fixed Screen with Wall Mounting and Floor Pole

The installation staff are responsible for ensuring that the fasteners are suitable for the wall and floor, that the wall and floor are in good condition, and that the wall, floor and fasteners can support the weight of the screen system and other forces that may occur during normal use.

The screens are designed to be used **indoors** on smooth, level flooring. Installation and use on floors that are not horizontal may be unsafe and will void the warranty.

Art. No.
6150, 6155
6250, 6255
6350, 6355
6539, 6544,
6540
6561, 6562,
6563

1.



1. Attach the wall mounting and the floor pole to the screen by inserting the bottom pins of the screen into the bottom holes of the wall mounting and floor pole. Press the upper pins down using the torx screw on the side to get the pins into the upper holes. Make sure the torx screw is in the **top position**. The upper end of the wall mounting is marked by an arrow and the word **UP**.

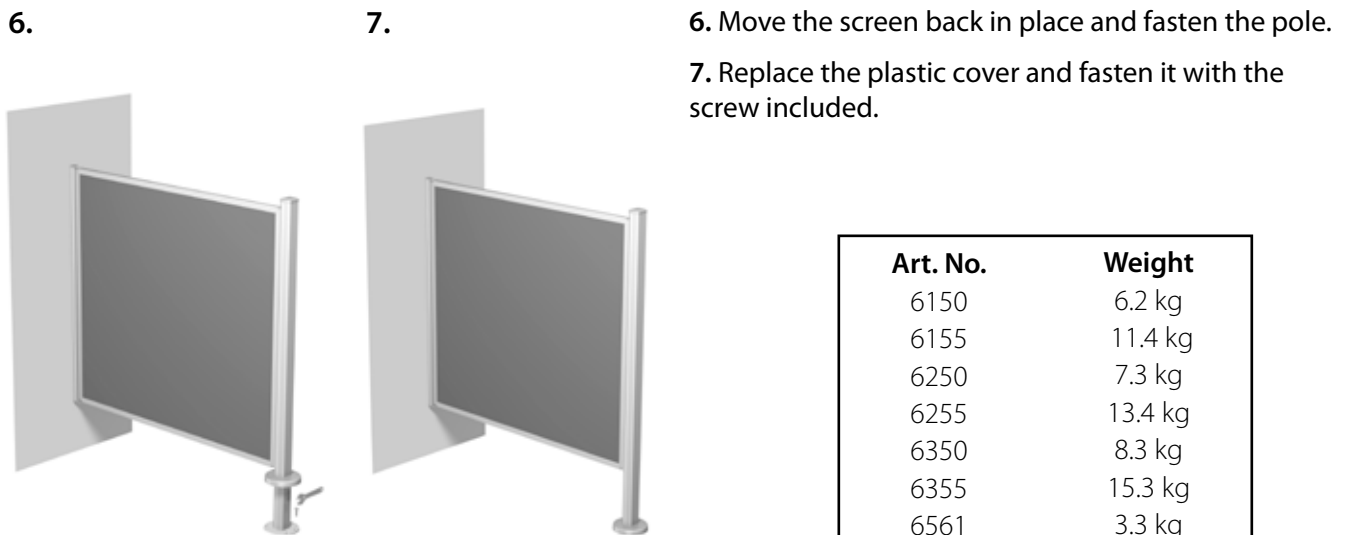
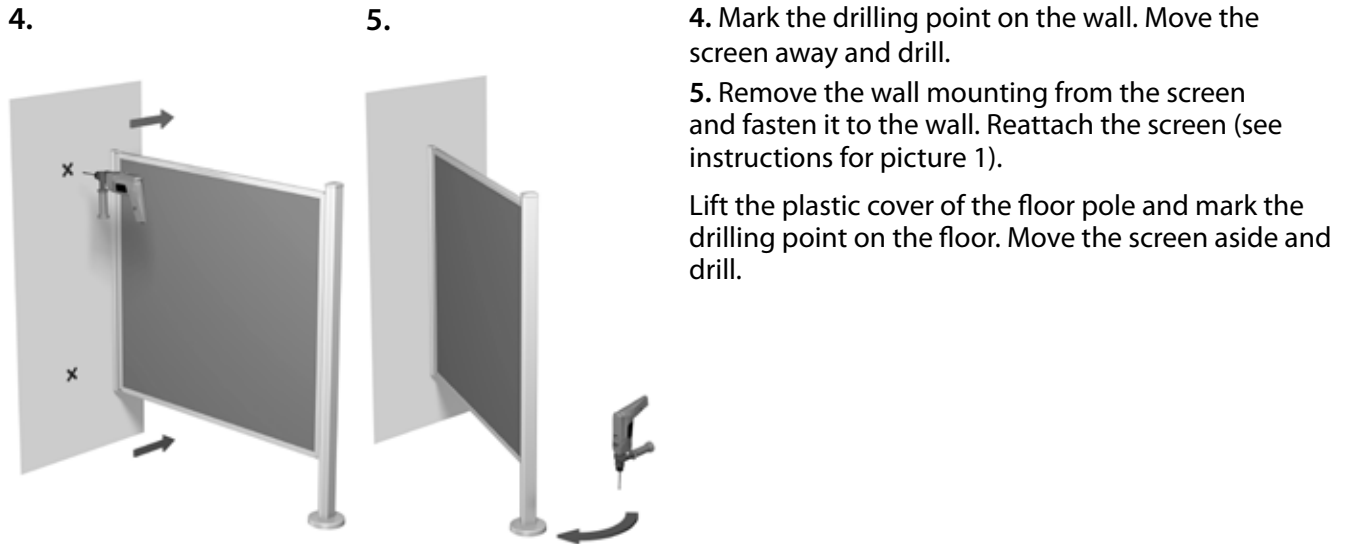
2.



3.



2-3. Hold the screen against the wall in its intended position and check that it is **horizontal** and **vertical**.



Art. No.	Weight
6150	6.2 kg
6155	11.4 kg
6250	7.3 kg
6255	13.4 kg
6350	8.3 kg
6355	15.3 kg
6561	3.3 kg
6562	3.6 kg
6563	3.8 kg

For installation of folding screens together with fixed screens, see page 25.

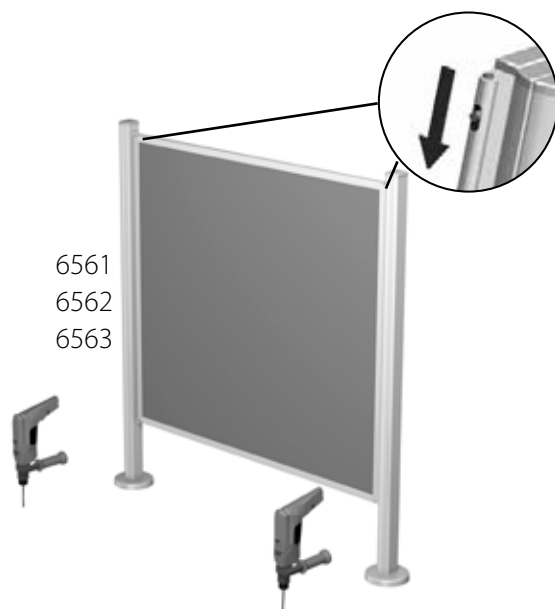
Installation of Fixed Screen with Two Floor Poles

The installation staff are responsible for ensuring that the fasteners are suitable for the floor, that the floor is in good condition, and that the floor and fasteners can support the weight of the screen system and other forces that may occur during normal use.

The screens are designed to be used **indoors** on smooth, level flooring. Installation and use on floors that are not horizontal may be unsafe and will void the warranty.

Art. No.
6150, 6155
6250, 6255
6350, 6355
6561, 6562,
6563

1.



1. Attach the floor poles to the screen by inserting the bottom pin of the screen into the bottom hole of the floor pole. Press the upper pin down using the torx screw on the side to get the pin into the upper holes. Make sure the torx screw is in the **top position**. Hold the screen in its intended position, lift the plastic cover of the floor poles and mark the drilling points on the floor. Move the screen aside and drill.

2.



2. Move the screen back into place and check that it is **horizontal** and **vertical** in all directions. Fasten the poles.

3.



3. Replace the plastic covers and fasten them with the screws included.

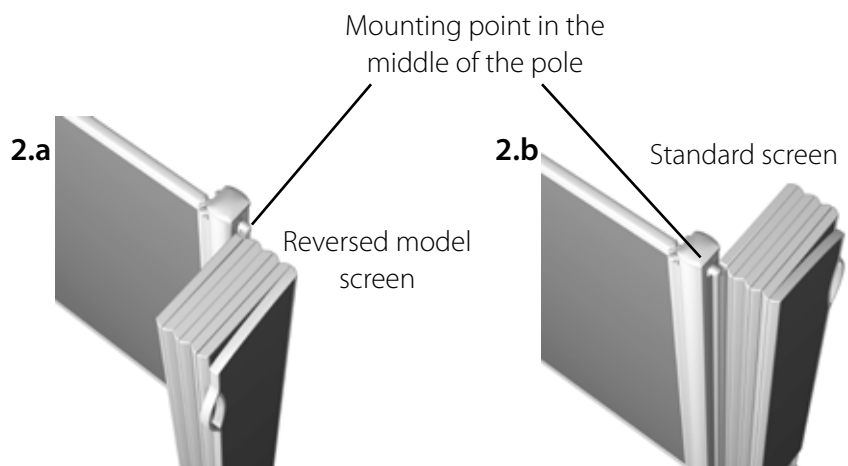
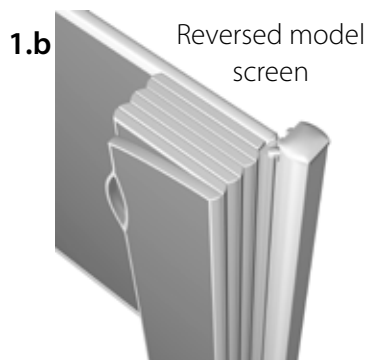
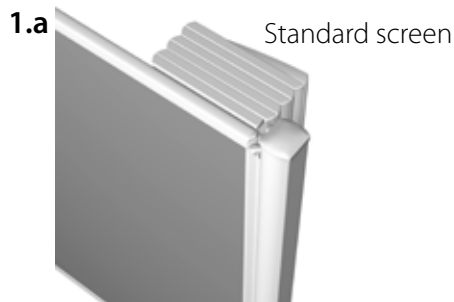
Art. No.	Weight
6150	6.2 kg
6155	11.4 kg
6250	7.3 kg
6255	13.4 kg
6350	8.3 kg
6355	15.3 kg
6561	3.3 kg
6562	3.6 kg
6563	3.8 kg

Installation of Folding Screen together with Fixed Screen

Approved positions for installation

Several screens can be installed on the same floor pole. Folding screens must be installed in one of the following approved positions:

1. On the same side of the pole as a fixed screen. (Pole in option C or D): The folding screen must rest against the fixed screen when it is folded. (Picture 1.a and 1.b)
2. On the opposite side of the pole relative to the fixed screen. (Pole in option B or D): The folding screen must be installed on mounting points in the middle of the pole. (Picture 2.a and 2.b)



Installation

Install the fixed screens (see page 22-25). Then follow the instructions in paragraph 3 and 4 on the next page.

Installation of Folding Screen with Floor Pole

The installation staff are responsible for ensuring that the fasteners are suitable for the floor, that the floor is in good condition, and that the floor and fasteners can support the weight of the screen system and other forces that may occur during normal use.

**Art. No.
6105 - 6115
6205 - 6215
6305 - 6315
6561, 6562,
6563**

The screens are designed to be used **indoors** on smooth, level flooring. Installation and use on floors that are not horizontal may be unsafe and will void the warranty.

1.



6561
6562
6563

1. Put the floor pole in its intended position, lift the plastic cover of the floor pole and mark the drilling point on the floor. Move the pole aside and drill.

The folding screen must be installed to mounting points in the middle of the pole when it is not installed together with a fixed screen. Use pole A or B. For installation together with a fixed screen, see page 25.



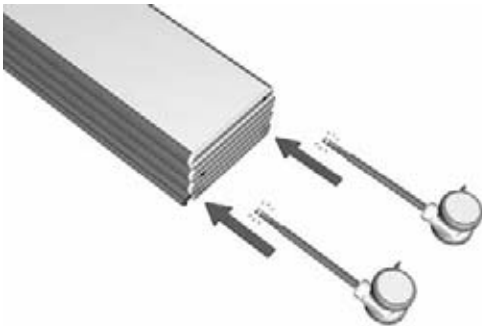
Art. No.	Weight	Art. No.	Weight	Art. No.	Weight	No. of Wheels
6105	8.5 kg	6205	10 kg	6305	11.5 kg	1
6106	10.5 kg	6206	12 kg	6306	13.5 kg	2
6107	12 kg	6207	14 kg	6307	16 kg	2
6108	13.5 kg	6208	16 kg	6308	18 kg	2
6109	15.5 kg	6209	18 kg	6309	20.5 kg	3
6110	17 kg	6210	19.5 kg	6310	22.5 kg	3
6111	18.5 kg	6211	21.5 kg	6311	24.5 kg	3
6112	20 kg	6212	24 kg	6312	27 kg	4
6113	22 kg	6213	25.5 kg	6313	29 kg	4
6114	24 kg	6214	27.5 kg	6314	31.5 kg	4
6115	25.5 kg	6215	29.5 kg	6315	33.5 kg	5

2.



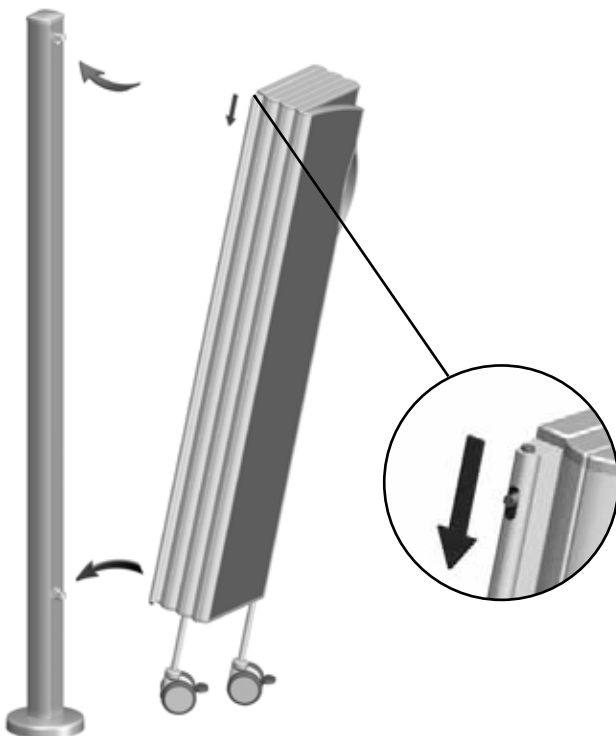
2. Move the floor pole back in place and check that it is **vertical** in all directions. Fasten the pole into place. Replace the plastic cover and fasten it with the screw included.

3.



3. Push the wheels into the screen. Make sure the wheels are inserted into all the wheel holes.

4.



4. Attach the screen by inserting the bottom pin of the screen into the bottom hole of the floor pole. Press the upper pin down using the torx screw on the side to get the pin into the upper hole.

If needed, the torx screw (T20) can be tightened to prevent anyone from detaching the screen accidentally. Make sure the screw is in the **top position** after tightening it.

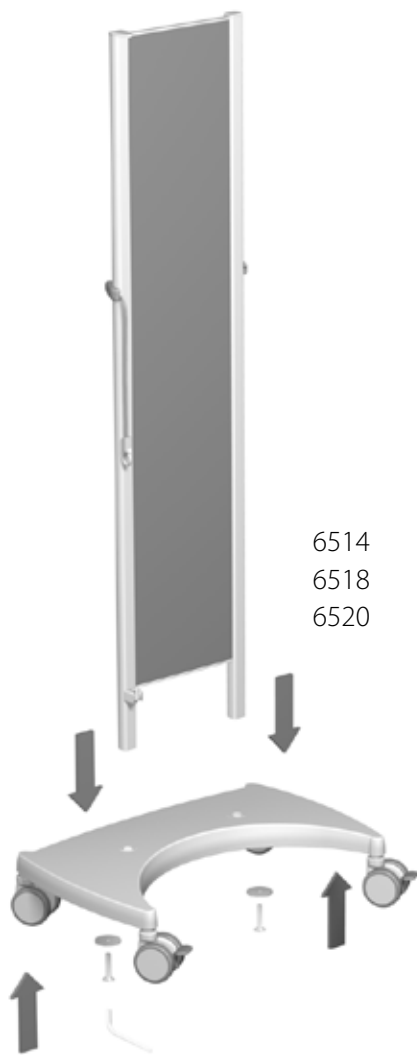
The longest screens (12-15 sections) are intended for use in an L-shape around the bed.

Installation with Trolley for One Screen

The screens are designed to be used **indoors** on smooth, level flooring. Installation and use on floors that are not horizontal may be unsafe and will void the warranty.

Art. No.
6105 - 6115
6205 - 6255
6305 - 6315
6514, 6518,
6520

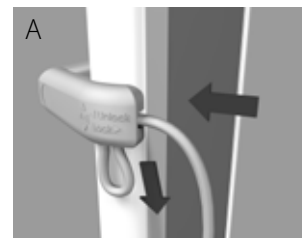
1.



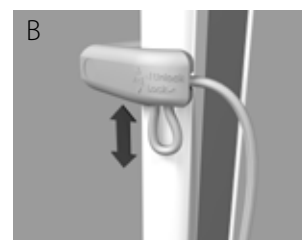
1. Put the back part onto the wheel part, making sure that **the attachment points for the screen are on the same side as the curved (concave) side of the wheel part**. Put the washers over the screws and **tighten them firmly**.

This is how you adjust the length of the cord to suit the number of screen sections.

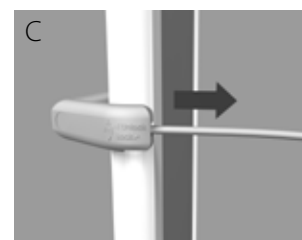
A) Feed in the cord so that it forms a loop below.



B) Adjust the length of the cord by either pushing the loop upwards to shorten it, or pulling the loop downwards to extend it.



C) Pull back the cord until the loop disappears and compare the length with the table below.



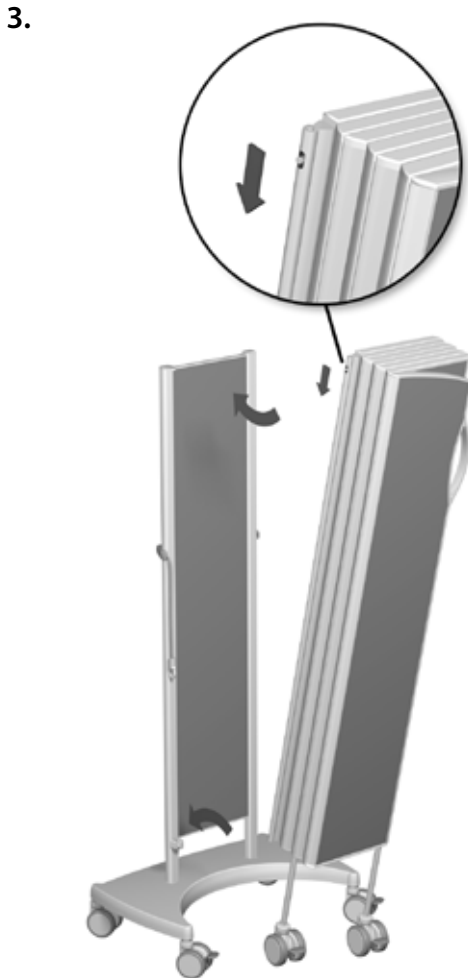
If the length is incorrect, repeat steps A) to C) until it is correct.

Number of sections	Length of cord
5	41 cm/16"
7	48 cm/19"
9	54 cm/21"
11	60 cm/24"
13	65 cm/26"
15	72 cm/29"



2. Push the wheels into the screen. Make sure the wheels are inserted into all the wheel holes.

Missing wheels can make the screen unstable and cause it to fall.



3. Attach the screen to the trolley by inserting the bottom pin of the screen into the bottom hole of the trolley. Press the upper pin down using the torx screw on the side to get the pin into the upper hole.

If needed, the torx screw (T20) can be tightened to prevent anyone from detaching the screen accidentally. Make sure the screw is in the **top position** after tightening it.

On a correctly installed screen, the wheels of the screen will be placed in the curved opening of the wheel part when the screen is folded. Incorrect installation will make the screen more difficult to use and less stable.



Before moving the screen unit, the brakes of all wheels must be off.

Before extending the screen, the brakes of the trolley wheels must be on, but the brakes of the screen wheels must be off.

The longest screens (12-15 sections) are intended for use in an L-shape around the bed.

Art. No.	Weight	Art. No.	Weight	Art. No.	Weight	No. of Wheels
6105	8.5 kg	6205	10 kg	6305	11.5 kg	1
6106	10.5 kg	6206	12 kg	6306	13.5 kg	2
6107	12 kg	6207	14 kg	6307	16 kg	2
6108	13.5 kg	6208	16 kg	6308	18 kg	2
6109	15.5 kg	6209	18 kg	6309	20.5 kg	3
6110	17 kg	6210	19.5 kg	6310	22.5 kg	3
6111	18.5 kg	6211	21.5 kg	6311	24.5 kg	3
6112	20 kg	6212	24 kg	6312	27 kg	4
6113	22 kg	6213	25.5 kg	6313	29 kg	4
6114	24 kg	6214	27.5 kg	6314	31.5 kg	4
6115	25.5 kg	6215	29.5 kg	6315	33.5 kg	5

Installation with Trolley for Two Screens

The screens are designed to be used **indoors** on smooth, level flooring. Installation and use on floors that are not horizontal may be unsafe and will void the warranty.

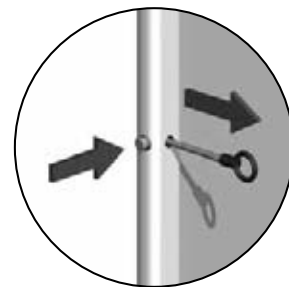
Art. No.
6105 - 6115
6205 - 6215
6305 - 6315
6501, 6503,
6521

1.

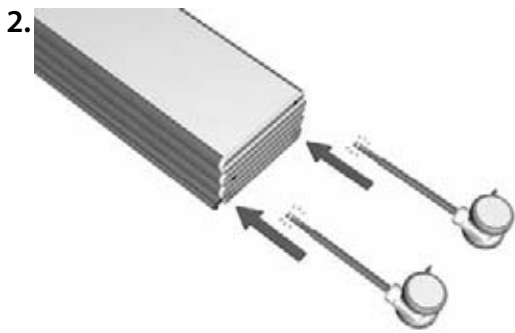


1. Put the back part onto the wheel part, matching the marked hole with the marked side of the screen.
Tighten the screws firmly.

Press the button to adjust the length of the cord.

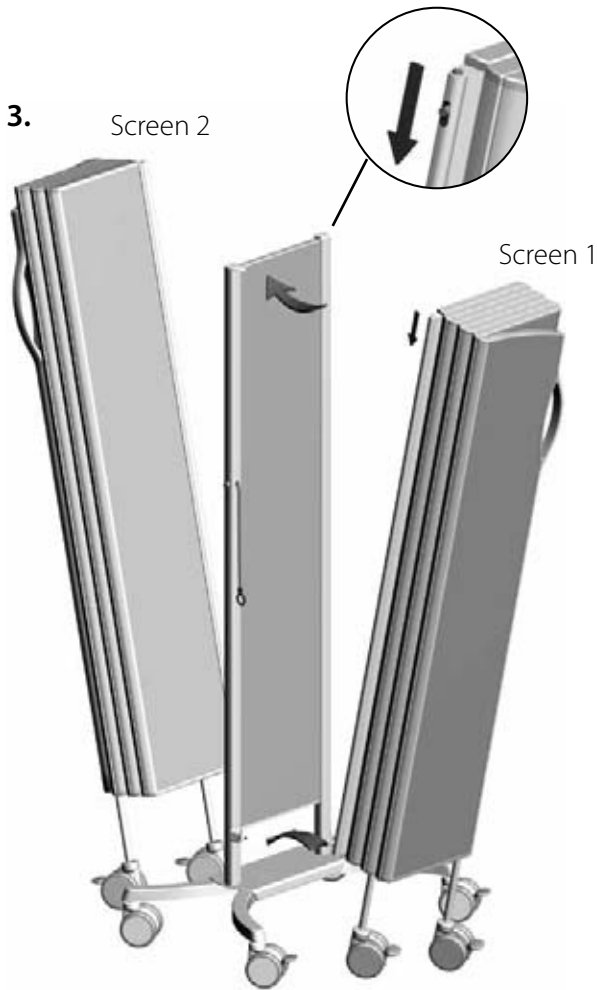


Number of sections	Length of cord
5	45 cm/18"
7	52 cm/21"
9	59 cm/24"
11	66 cm/26"
13	73 cm/29"
15	80 cm/32"



2. Push the wheels into the screen. Make sure the wheels are inserted into all the wheel holes.

Missing wheels can make the screen unstable and cause it to fall.



3. Attach the screen to the trolley by inserting the bottom pin of the screen into the bottom hole of the trolley. Press the upper pin down using the torx screw on the side to get the pin into the upper hole.

If needed, the torx screw (T20) can be tightened to prevent anyone from detaching the screen accidentally. Make sure the screw is in the **top position** after tightening it.

If the trolley is used with only one screen (Screen 1), the screen should be placed on the side with longer wheel arms and wheels with brakes. Otherwise the screen unit may be unstable and fall.

Before moving the screen unit, the brakes of all wheels must be off.

Before extending a screen, the brakes of the trolley wheels must be on, but the brakes of the screen wheels must be off.

The longest screens (12-15 sections) are intended for use in an L-shape around the bed.

Art. No.	Weight	Art. No.	Weight	Art. No.	Weight	No. of Wheels
6105	8.5 kg	6205	10 kg	6305	11.5 kg	1
6106	10.5 kg	6206	12 kg	6306	13.5 kg	2
6107	12 kg	6207	14 kg	6307	16 kg	2
6108	13.5 kg	6208	16 kg	6308	18 kg	2
6109	15.5 kg	6209	18 kg	6309	20.5 kg	3
6110	17 kg	6210	19.5 kg	6310	22.5 kg	3
6111	18.5 kg	6211	21.5 kg	6311	24.5 kg	3
6112	20 kg	6212	24 kg	6312	27 kg	4
6113	22 kg	6213	25.5 kg	6313	29 kg	4
6114	24 kg	6214	27.5 kg	6314	31.5 kg	4
6115	25.5 kg	6215	29.5 kg	6315	33.5 kg	5

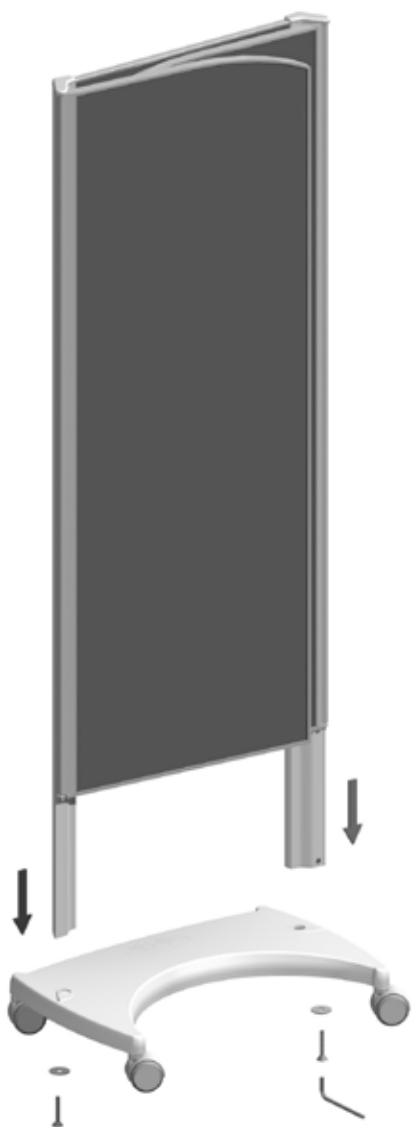
Installation of Mobile Bed End Screen

The screens are designed to be used **indoors** on smooth, level flooring. Installation and use on floors that are not horizontal may be unsafe and will void the warranty.

Art. No.
6522, 6523
6525, 6526

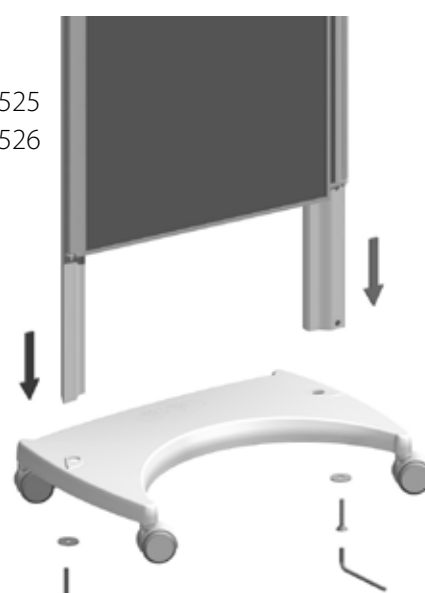
1.

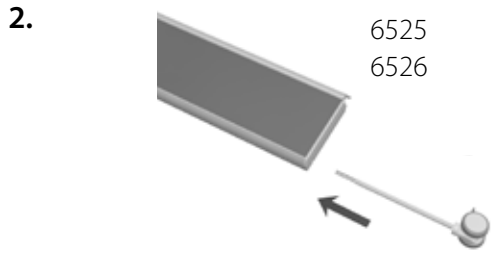
6522
6523



1. Put the back part onto the wheel part, making sure that the **contour on the wheel part match with the contour of the back part poles**. Put the washers over the screws and **tighten them firmly**.

6525
6526

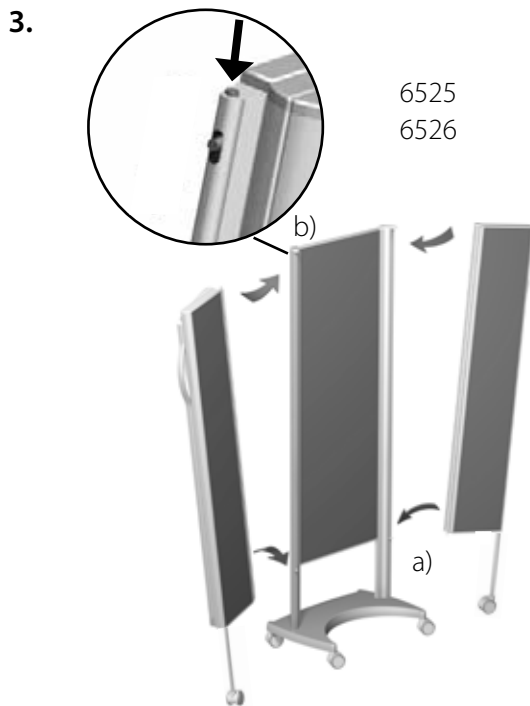




2. Push the wheels into the screen. Make sure the wheels are inserted into all the wheel holes.

Missing wheels can make the screen unstable and cause it to fall.

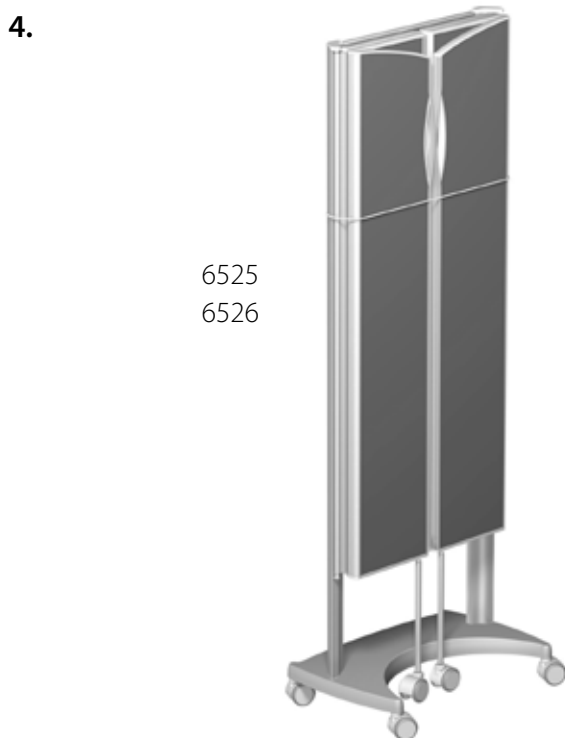
Art. No. Screen	Art. No. Wheels
6525	40002-328
6526	40002-228



3.a) Attach the three-section screens to the back part by inserting the bottom pin into the bottom hole in the back part.

Before attaching the three-section screens, make sure that the handles will face each other when the screens are folded.

b) Press down the upper pin with your finger and move it so that the pin can spring up into the upper hole.



4. The elastic cord can be used to hold the foldable parts towards the back part when the screen is moved. Before moving the screen unit, the brakes of all wheels must be off.

Before extending the foldable parts, the brakes of the wheels of the wheel unit must be on, but the brakes of the wheels of the foldable parts must be off.

Installation of Shower Screen

The installation staff are responsible for ensuring that the fasteners are suitable for the wall, that the wall is in good condition, and that the wall and fasteners can support the weight of the screen system and other forces that may occur during normal use.

The screens are designed to be used **indoors** on smooth, level flooring. Installation and use on floors that are not horizontal may be unsafe and will void the warranty.

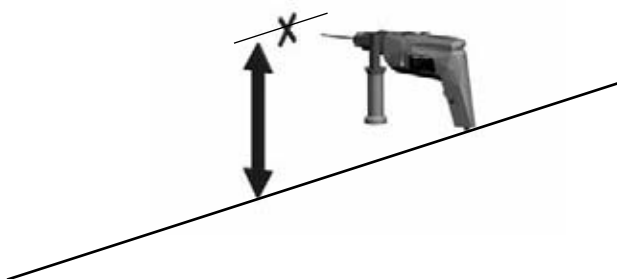
Art. No.
6183 - 6185
6283 - 6285
6383 - 6385
6539-Z
6544-Z
6540-Z

1.

Screen height	Distance from floor
1.7 m	270 mm
1.5 m	270 mm
1.3 m	170 mm

1. Mark and drill a hole for the lower fastening screw. Distance from floor: 170 mm for screen of 1.3 m height, 270 mm for screen of 1.5 m or 1.7 m height.

Attention! Holes made in walls or floor in wet areas must be sealed against water penetration in a professional manner.



2.

6539-Z
 6544-Z
 6540-Z



3.

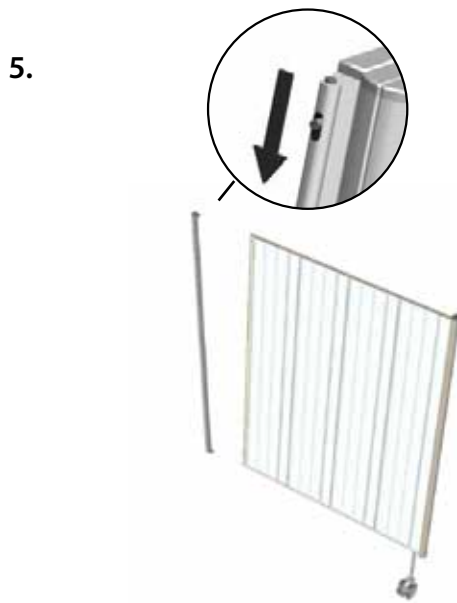


2. Fasten the lower end of the wall mounting to the wall. The upper end of the wall mounting is marked by an arrow and the word UP.

3. Make sure the wall mounting **is vertical**. Mark and drill a hole for the upper end of the wall mounting and fasten it to the wall.



4. Push the wheels into the screen. Make sure the wheels are inserted into all the wheel holes.



5. Attach the inner screen by inserting the bottom pin of the inner screen into the bottom hole of the wall mounting. Press the upper pin down using the torx screw on the side to get the pin into the upper hole. If needed, the torx screw (T20) can be tightened to prevent anyone from detaching the screen accidentally. Make sure the screw is in the **top position** after tightening it.



6. Attach the outer screen to the inner screen in the same way as the inner screen was attached to the wall mounting.

Art. No.	Weight	No. of Wheels
6183	5 kg	1
6184	5.5 kg	1
6185	7 kg	1
6283	5.5 kg	1
6284	6.5 kg	1
6285	8 kg	1
6383	6 kg	1
6384	7.5 kg	1
6385	9 kg	1



Australia

Medeleq Pty Ltd, 11 Palings Court,
Nerang Qld 4211, Australia
Tel. +610755962422, Fax. +610755962374
michael@medeleq.com.au

Austria

Czerny Handels GmbH, Hosnedlgasse 16,
AT-1210 Wien, Austria
Tel. +43(1)2716546-0
silentia@czerny-a.at

Belgium

Silentia Belux, Hille, 8,
BE-8750 Zwevezele, Belgium
Tel. +32 51484334, Fax. +32 51582552
info@silentia.be

Canada

Cornerstone Medical Inc, #4 - 889 Barton St., Stoney
Creek, ON L8E 5V1, Canada
Tel. 001 (905) 945-2522, Fax. 001 (905) 945-5611
dthibault@cornerstone-medical.com

Croatia

Panontrade, Rakitska cesta 43, Rakitje,
HR-10437 Bestovje, Croatia
Tel. +385 (01) 3325968, Fax. +385 (01) 3325972
panon-trade@zg.t-com.hr

Czech Republic

LABO-MS s.r.o., Petržilkova 2491/56,
CZ-158 00 Praha 5 - Nové Butovice, Czech Republic
Tel. +420 251624035, Fax. +420 251624039
labo-ms@labo-ms.cz

Denmark

Silentia ApS, Buddingevej 306,
DK-2860 Søborg, Denmark
Tel. +45 3990 8585, Fax. +45 7262 3100
info@silentia.dk

Estonia

InstruMed OÜ, Emajõe 1a, EE-51008 Tartu, Estonia
Tel. +372 739 0680, Fax. +372 739 0681
info@instrumed.ee

Finland

Silentia Finland OY, Forsellesintie 4 A,
FI-02700 Kauniainen, Finland
Tel. +358 (0) 456 567 670, Fax. +358 (0) 207 924 201
info@silentiafinland.fi

France

Schmitz France, 35 rue Créqui,
FR-69006 Lyon, France
Tel. +33 (0)383229467, Fax. +33 (0)383228238
info@schmitz-france.fr

French West Indies

MedicoPack, 7 Lot Dugazon de Bourgogne,
ZAC Petit-Pérou, 97139 Les Abymes, Guadeloupe
Tel. 05-90-88-71-97, Fax. 05-90-88-71-96
medico-pack@orange.fr

Germany

Silentia GmbH, Postfach 550182,
DE-22561 Hamburg, Germany
Tel. +49(0)40 3905502, Fax. +49(0)40 3903768
info@silentia.de

Greece

Meditime, Ioustanianou 8,
EL-54631 Thessaloniki, Greece
Tel. +302310263300, Fax. +302310263329
nikos@meditime.net

Hong Kong

Viking Group (H.K.) Ltd, Unit 1202, 12/F, Kwon Kin Trade
Centre, No. 5, Kin Fat Street, Tuen Mun, N.T., Hong Kong
SAR of China
Tel. +85223956339, Fax. +85224417068
vghk@netvigator.com

Hungary

Medifair Trading, Szabadkai u. 12,
HU-1223 Budapest, Hungary
Tel. +3613626246, Fax. +3613620285
info@medifair.hu

Iceland

Icepharma, Lynghálsi 13, IS-110 Reykjavík, Iceland
Tel. +354 5408000, Fax. +354 5408001
laeknoghjukvorur@icepharma.is

India

SNG-Sun Narula Group, NG Tower A-219, Road
No 6, Mahipalpur NH8, New Dehli-110 037, India
Tel. +91 11 26787685, Fax. +91 11 26787694
pankaj.narula@sngindia.org

Iran

Mehr Pooyan Behdasht co. Ltd, 2nd Floor, No. 96,
Saremi Ave., Southern Aban St. (Azodi St.)
Karim Khane Zand Ave., Tehran-Iran
Tel. +9821 88925411-12, Fax. +9821 88925413
info@mpb-med.com

Ireland

Lisclare Ltd, Unit 4-5 Montgomery Business Park, 38
Montgomery Road, Belfast BT6 9HL,
Northern Ireland
Tel. +442890794000, Fax. +442890794577
info@lisclare.com

Italy

Ladurner Hospitalia GmbH, Via Max-Valier-Str. 3/A, IT-
39012 Meran (BZ), Italy
Tel. +39 (0)473 272727, Fax. +39 (0)473 272728
info@silentia.it

Japan

Moraine Corp., 1-32-14 Asagaya Minami,
Suginami-ku, Tokyo 166-0004, Japan
Tel. +81 3 5338 3911, Fax. +81 3 5338 3912
info@moraine.co.jp

Kuwait

Kmed Company W.L.L, P.O. Box 28480,
13145 Safat, Kuwait
Tel. +9652427253, Fax. +9652427227
kmed@qualitynet.net

Lithuania

UAB "Teida",
Karaliaus Mindaugo pr. 16/Druskininkų g.1,
LT-44288 Kaunas, Lithuania
Tel. +370 (37) 323576, Fax. +370 (37) 209358
info@teida.lt

Luxembourg

Silentia Belux, Hille, 8,
BE-8750 Zwevezele, Belgium
Tel. +32 51484334, Fax. +32 51582552
info@silentia.be

Malta

Sidroc Services, 74 Sliema Road, Gzira,
GZR 1634, Malta
Tel. +356 21315789, Fax. +356 21322770
info@sidroc.com

Norway

Avalon Medical, P.O. Box 6589, Etterstad,
NO-0607, Norway
Tel. +4723036370, Fax. +4723036371
tom@avalon-medical.no

Netherlands

Silentia Nederland B.V., Nijverheidsweg 8,
NL-5071 NK Udenhout, Netherlands
Tel. +31(0)135119302, Fax. +31(0)135112324
info@silentia-schermen.nl

Poland

Eres Medical, Plouszowice Kol 64 B,
PL-21-008 Tomaszowice, Poland
Tel. +48 (81) 502007018, Fax. +48 (81) 502007020
info@eresmedical.com.pl

Portugal

HospiTécnica, Lda., Rua Belo Horizonte, Porta B,
PT-2640-027 Santo Isidoro, Portugal
Tel. +351 261 963 212, Fax. +351 261 963 211
hospitecnica@mail.telepac.pt

Slovenia

Timo d.o.o. Ajdovščina, Vipavska cesta 4i,
SI-5270 Ajdovščina, Slovenia
Tel. +38653689330, Fax. +38653663805
info@timo.si

Spain

Silentia Spain S.L., c / Benavent, 12. Bajos,
ES-08028 Barcelona, Spain
Tel. +34 935190158
info@silentia.com.es

Sweden

Silentia AB, Box 108,
SE-311 22 Falkenberg, Sweden
Tel. +46 (0)346 48580, Fax. +46 (0)346 48589
info@silentia.se

Switzerland

Med-Innova SA / Med-Innova AG,
14, Av. d'Ouchy - CP 1230,
CH-1001 Lausanne, Switzerland
Tel. +41 79 902 80 75
info@med-innova.com



Turkey

MedSistem, Tavukcuyolu Barbaros Cad. Hattat Sokak,
No: 21 MedSistem Is Merkezi, Yukari Dudullu, 34775
Ümraniye/Istanbul, Turkey
Tel. +902164155660, Fax. +902164153224
info@medsistem.com.tr

United Kingdom

Lisclare Ltd, Unit 11 Heron Business Park,
Tanhouse Lane, WA9 0SW Widnes, United Kingdom
Tel. +44(0)870 850 2384, Fax. +44(0)8708502386
info@lisclare.com

USA

Silentia Inc., 740 State St. 3rd Floor, Suite B,
Santa Barbara, CA 93101, USA
Tel. +1 (805) 325-3668
info@silentia.us


Form for regular six-monthly inspection

On the following page is a form that can be copied (we recommend enlarging it to A4) and used when inspecting the screens. Each page can be used for one screen, or for several screens in the same room or department.



Reference (Ward / Room / Item / Serial No.)	Hospital / Clinic / Care home	Date
---	-------------------------------	------

Silentia Screen Regular Six-monthly Inspection / Service

<p>1. Check fastening to the wall / floor / trolley (For reference, see manual or www.silentia.eu)</p> <p>All mountings, spacers and clamps are OK <input checked="" type="checkbox"/></p> <p>Wall mounting / spacer / wall rail / floor pole is not securely attached to the wall / floor <input type="checkbox"/></p> <p>The screen is not securely attached to the wall mounting / floor pole / trolley (EasyClick™ system, see below) <input type="checkbox"/></p> <p>Fault / damage to wall mounting / floor pole <input type="checkbox"/></p> <p>Fault / damage to wall mounting spacer or clamp for wall rail <input type="checkbox"/></p> <p>Fault / damage to trolley <input type="checkbox"/></p> <p>Other fault / damage <input type="checkbox"/></p> <div style="border: 1px solid black; padding: 5px; margin-top: 10px;">Specify (eg. item/serial No., location; fault / damage)</div> <p>EasyClick™ system</p> 	<p>2. Check screen(s)</p> <p>The screens look and operate as intended <input checked="" type="checkbox"/></p> <p>Damage to panels <input type="checkbox"/></p> <p>Damage to wheels <input type="checkbox"/></p> <p>Damage to handle <input type="checkbox"/></p> <p>Damage to edging <input type="checkbox"/></p> <p>Other fault / damage <input type="checkbox"/></p> <div style="border: 1px solid black; padding: 5px; margin-top: 10px;">Specify (eg. item / part, location measured from handle; fault / damage)</div> <div style="border: 1px solid black; padding: 5px; margin-top: 10px;">Notes*</div>
---	---

Customer Details	Work carried out by
Signed	Signed
Date	Date



THE FUTURE IN PRIVACY & HYGIENE SOLUTIONS

Silentia AB, Box 108, SE-311 22 Falkenberg, Sweden - Tel: +46 (0)346-48580
Fax: +46 (0)346-48589 - info@silentia.se - www.silentia.eu

