



Marina Shower stretcher



6100 2300 / 6100 2350

Marina Shower stretcher



hydraulic: 6100 2300 / electric: 6100 2350

Marina Shower stretcher

Properties

- Wide stable wheelbase.
- Extremely light frame made of aluminium.
- Large diameter wheels (Ø 12,5 cm).
- Height-adjustable, hydraulically or electrically operated.
- Ergonomic pump action for height adjustment.
- If electrically operated: fitted with an emergency descent switch, emergency brake and user-friendly charger.
- Simple and safe control of side rails with locking.
- Includes mattress, pillows and outlet hose.
- Corrosion resistant through coated aluminium, stainless steel, plastic and galvanised parts.
- Streamlined finish for optimal cleaning.

Technical details

High / low drive	Hydraulic or electric, push-only
Manual control	2-key handset with suspension-hook, IP66
Control box	24VDC, max. 250 W, IP65
Emergency brake	Push button with rotation lock
Battery	2 x 12V, 7Ah
Battery charger	220V 50/60Hz 500 mA
Emergency descent switch	Stick shift, directly from the control box
Complete electrical system	IP65
Diameter of wheels	12,5 cm
Side rails	turnable, requires both hands when opening

Dimension / weight

external dimensions	209 x 80 x 62/116 cm (l x w x h)
Top surface net area	approx. 190 x 65 cm
Mattress edge height	approx. 20 cm
Lying surface height	minimum: approx. 45 cm maximum: approx. 99 cm
Water discharge hose	internal Ø 4 cm
Wheel base	140 cm
Wheel gauge	63 cm
Clearance space	18 cm
Weight	68 kg
Weight capacity	180 kg maximum



Suitable for bariatric clients to 180 kg.



Optional: half central inhibited.



Handcontrol with battery indicator.



Marina hydraulic.

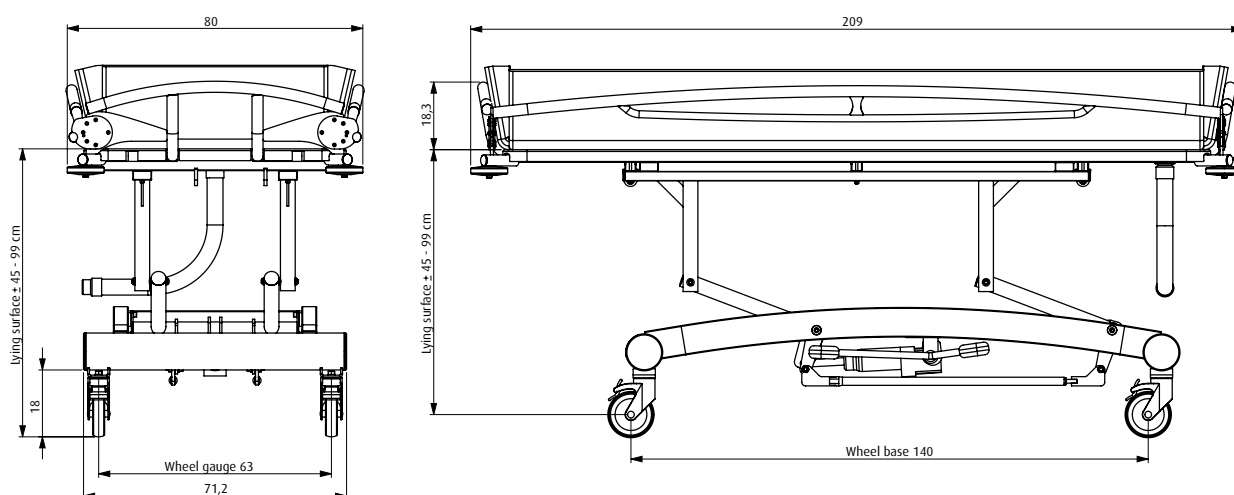


Marina electric.

Technical details

Art.nr.	Art. Definition	External length	External width	External Hoog	Inner length	Inner width	high / low	Max. load kg	Max. load lbs	Product weight kg	Product weight lbs
6100 2300	Marina Shower stretcher hydraulic	209	80	62 / 116	190	65	45 - 99	180	400	98	149
6100 2305	Marina Shower stretcher hydraulic	209	90	62 / 116	190	75	45 - 99	180	400	74	163
6100 2310	Marina Shower stretcher hydraulic half centr.	209	80	62 / 116	190	65	45 - 99	180	400	75	165
6100 2320	Marina Shower stretcher hydraulic	189	80	62 / 116	170	65	45 - 99	180	400	70	154
6100 2330	Marina Shower stretcher hydraulic	225	80	62 / 116	206	65	45 - 99	180	400	76	167
6100 2345	Marina Shower stretcher hydraulic	225	90	62 / 116	206	75	45 - 99	180	400	76	167
6100 2350	Marina Shower stretcher electric	209	80	62 / 116	190	65	45 - 99	180	400	75	170
6100 2355	Marina Shower stretcher electric	209	90	62 / 116	190	75	45 - 99	180	400	78	172
6100 2360	Marina Shower stretcher electric half centr	209	80	62 / 116	190	65	45 - 99	180	400	79	174
6100 2370	Marina Shower stretcher electric	189	80	62 / 116	170	65	45 - 99	180	400	74	163
6100 2380	Marina Shower stretcher electric	225	80	62 / 116	206	65	45 - 99	180	400	80	176
6100 2385	Marina Shower stretcher electric	225	90	62 / 116	206	75	45 - 99	180	400	80	176

Dimensions in cm



For more information, visit our website: www.lopital.com

Lopital Nederland B.V., Laarakkerweg 9, 5061 JR Oosterwijk, Postbus 56, 5060 AB Oosterwijk
 Tel +31 (0)13 5239300, Fax +31 (0)13 5239301, E-mail info@lopital.nl, www.lopital.nl

