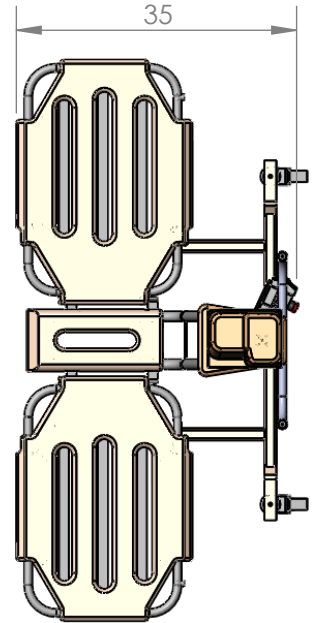
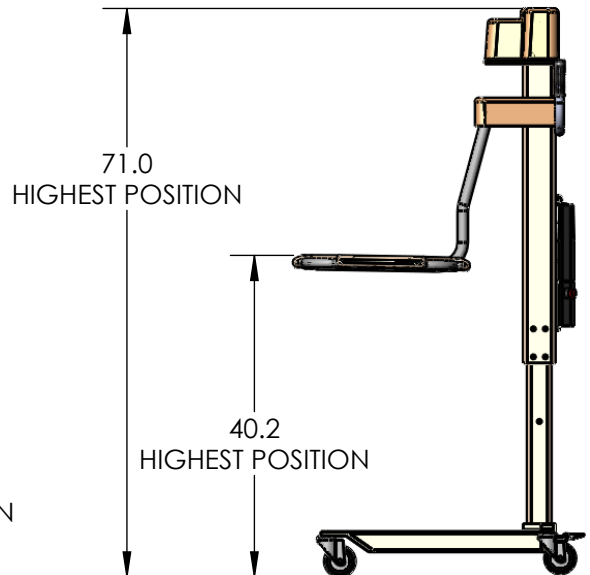
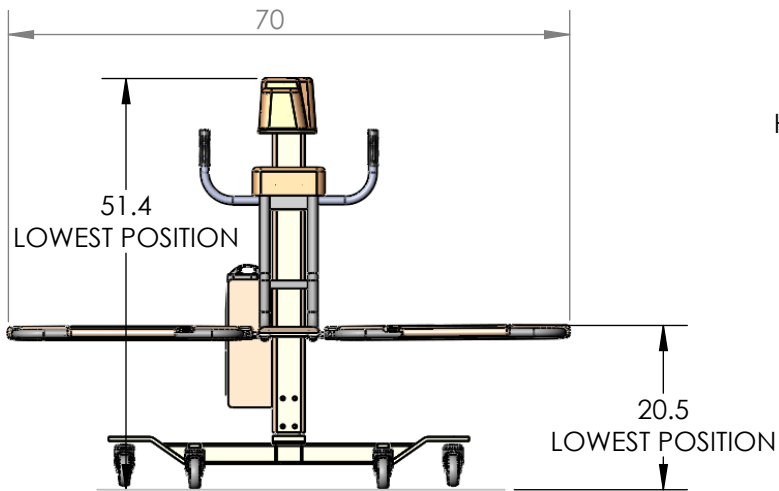


TRANSFER ELECTRIC PACIFIC STRETCHER



THE WINGS ON EITHER END WILL RAISE TO APPROXIMATELY 15, 30, OR 45 DEGREES FROM LEVEL



MODEL NUMBER	391000-1	2-391000-1	392000-1	2-392000-1
DESCRIPTION	TRANSFER BLUE STRETCHER W/O SCALE	TRANSFER TAN STRETCHER W/O SCALE	TRANSFER BLUE STRETCHER WITH SCALE	TRANSFER TAN STRETCHER W/SCALE
SCALE	NO	NO	YES	YES
WEIGHT	150 LBS	150 LBS	165 LBS	165 LBS
SHIPPING WEIGHT	250 LBS	250 LBS	265 LBS	265 LBS

THE LIFT COMES WITH 2 BATTERY PACKS AND A WALL CHARGER