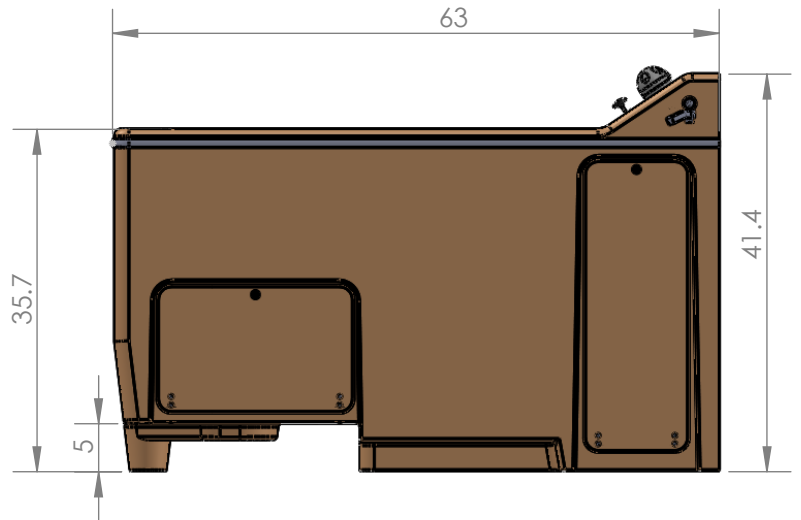
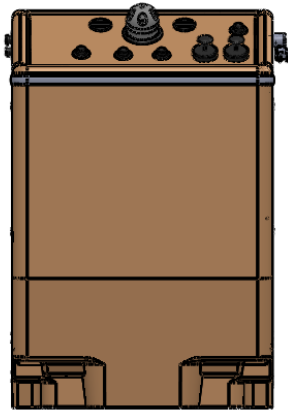
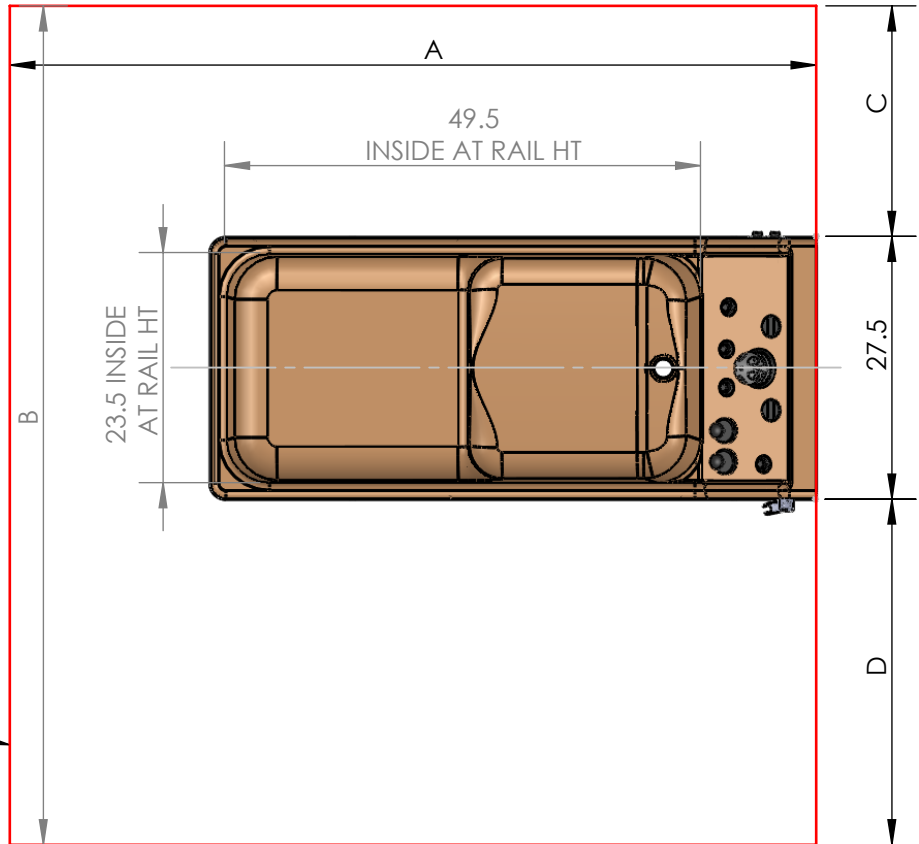


SUPERIOR SPA

MOBILE LIFT TYPE	"A" - ROOM LENGTH	"B" - ROOM WIDTH	"C" - LEFT SIDE SPACE	"D" - RIGHT SIDE SPACE
RIGHT SIDE ENTRY	77 MIN 84 REC.	76 MIN 100 REC	24	36
Left side Entry	77 MIN 84 REC.	76 MIN 100 REC	36	24
END ENTRY	83 MIN 93 REC.	76 MIN 100 REC.	24 *	36 *

* - DIMENSIONS GIVEN ARE FOR OPERATING FROM RIGHT SIDE. REVERSE SIDE SPACE DIMENSIONS IF OPERATING FROM LEFT SIDE.

RECOMMENDED CLEAR AREA FOR CAREGIVER, PATIENT LIFT MANEUVERING, MAINTENANCE.

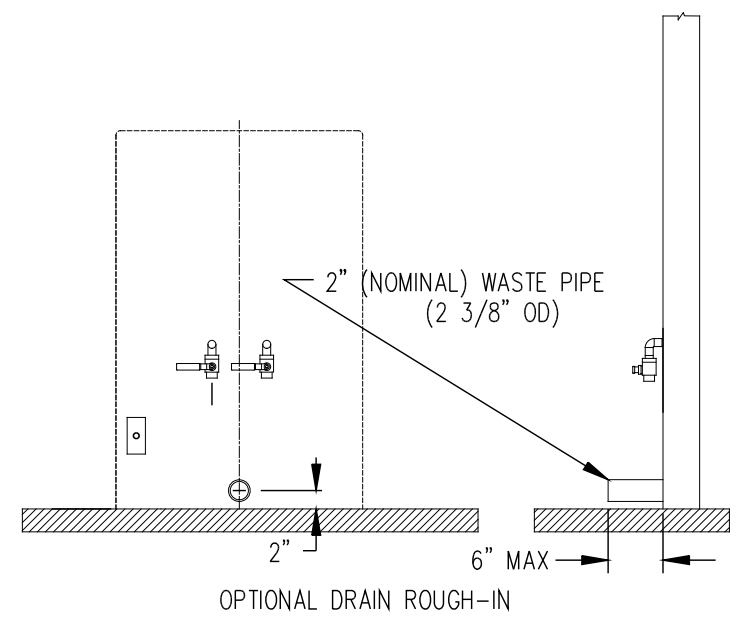
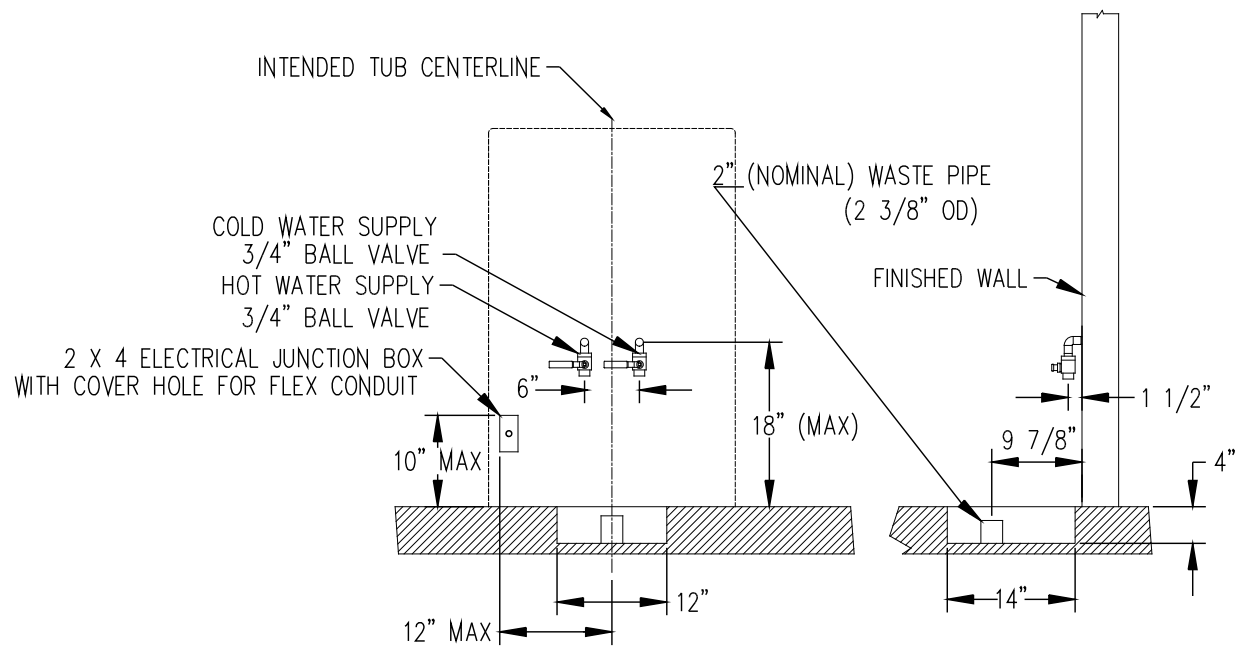


TO TRANSPORT THIS TUB INTO A ROOM, THE DOOR OPENING WIDTH MUST BE 30 INCHES. HOWEVER, IT CAN BE AS SMALL AS 28 INCHES IF THE SHOWER ELBOW AND AIR TRANSMITTERS ARE REMOVED FROM THE TUB PRIOR TO ENTRY.

PENNER MFG INC.
102 GRANT ST.
AURORA, NE. 68818
402-694-5003

MODEL NUMBER	350010-X
DESCRIPTION	SUPERIOR AIR TUB
DEPTH AT SEAT	20.5
DEPTH OF FOOTWELL	31
WATER CAPACITY	75 GALLONS
TUB WEIGHT	200 LBS
SHIPPING WEIGHT	300 LBS

THE "X" IN THE MODEL NUMBER REPRESENTS A COLOR CODE



PENNER MFG - SUPERIOR ROUGH-IN