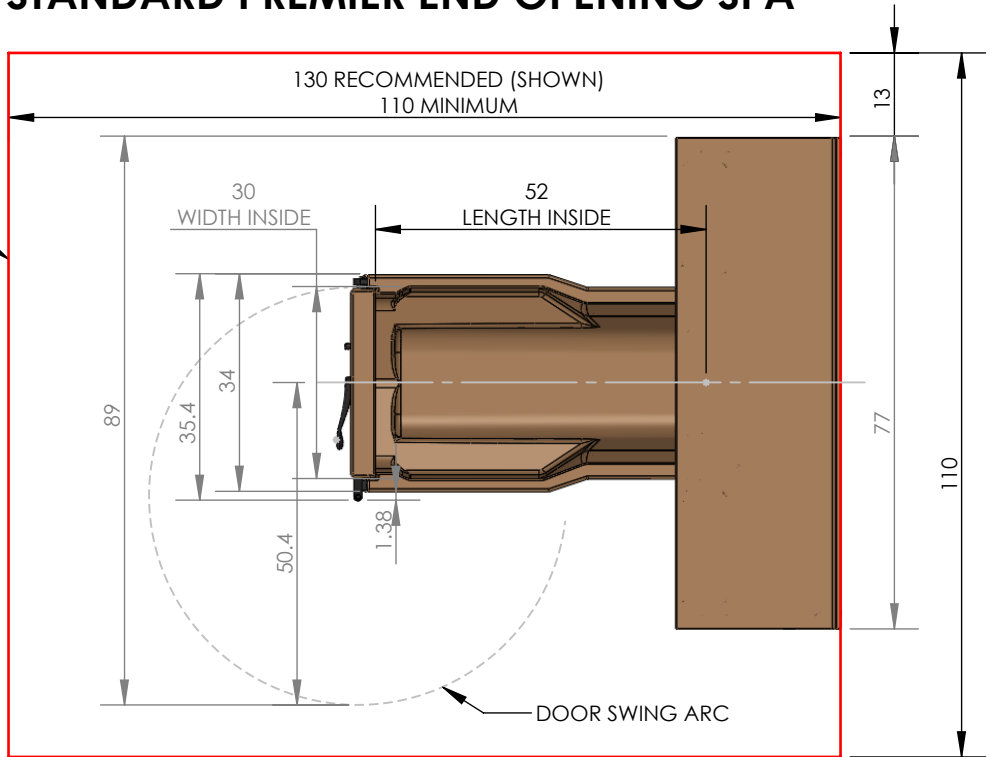
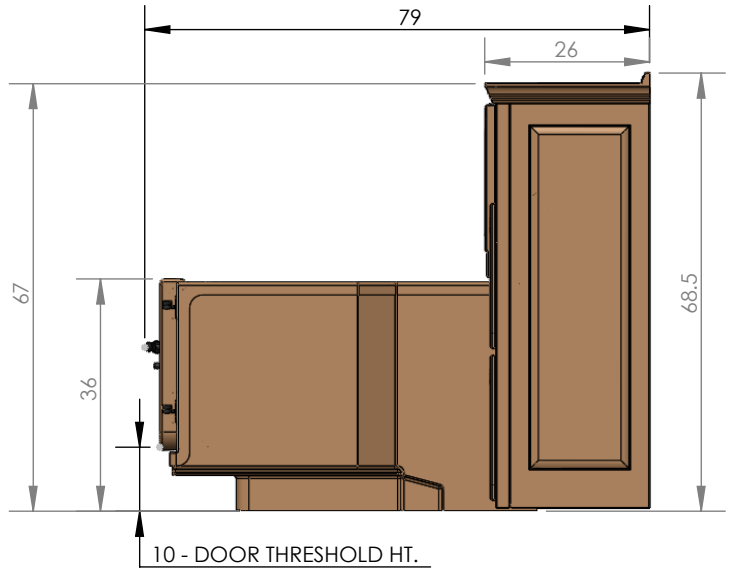
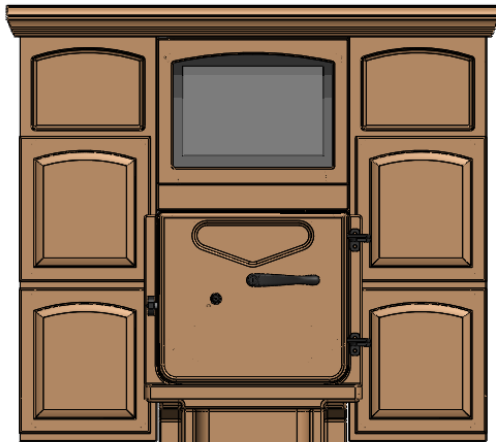


CASCADE STANDARD PREMIER END OPENING SPA

RECOMMENDED CLEAR AREA FOR CAREGIVER, PATIENT LIFT MANEUVERING, MAINTENANCE, AND DOOR SWING



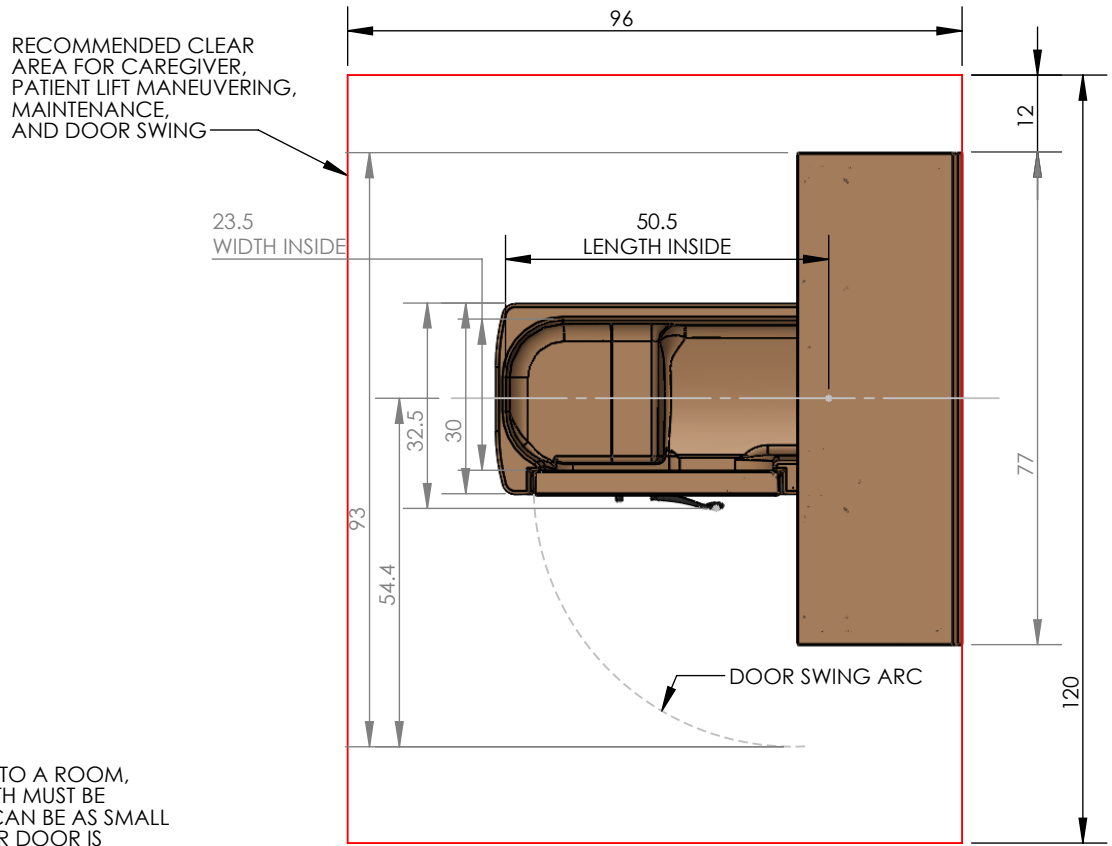
35 1/2 IN. MINIMUM DOOR OPENING WIDTH REQUIRED FOR TRANSPORTING TUB INTO THE ROOM.



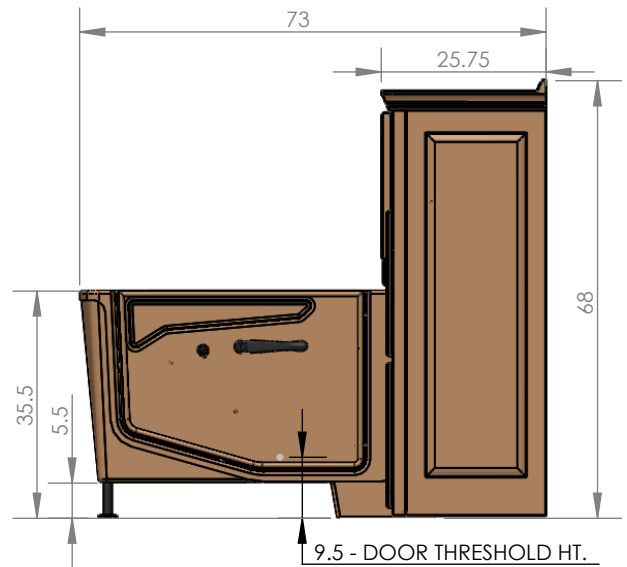
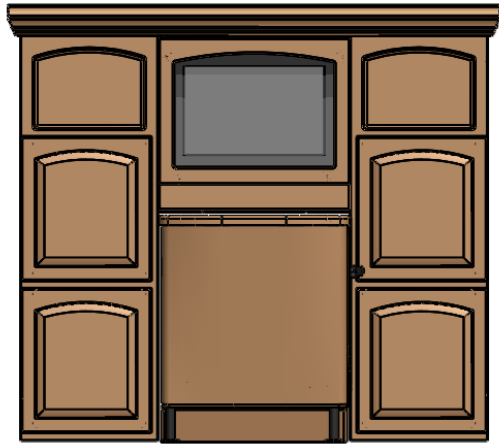
	RIGHT HAND (SHOWN)	LEFT HAND (MIRROR IMAGE)
MODEL NUMBER	360020-XP	360020-XPL
DESCRIPTION	CASCADE STANDARD PREMIER	CASCADE STANDARD PREMIER LEFT
"TUB TYPE" OPTION SELECTED	RIGHT HAND END OPENING (SHOWN)	LEFT HAND END OPENING (MIRROR IMAGE OF SHOWN TUB)
TUB WATER CAPACITY	100 GALLONS	100 GALLONS
RESERVOIR WATER CAPACITY	65 GALLONS	65 GALLONS
FILLED TUB WEIGHT	1258 LBS	1258 LBS
FILLED CABINET WEIGHT (RESERVOIR)	966 LBS	966 LBS
TUB ONLY WEIGHT	293 LBS	293 LBS
CABINET ONLY WEIGHT	425 LBS	425 LBS
TUB SHIPPING WEIGHT	395 LBS	395 LBS
CABINET SHIPPING WEIGHT	580 LBS	580 LBS

PENNER MFG INC.
102 GRANT ST.
AURORA, NE. 68818
402-694-5003

CASCADE STANDARD PREMIER SIDE ENTRY SPA



TO TRANSPORT THIS TUB INTO A ROOM, THE DOOR OPENING WIDTH MUST BE 33 INCHES. HOWEVER, IT CAN BE AS SMALL AS 30 INCHES IF THE WATER DOOR IS REMOVED FROM THE TUB PRIOR TO ENTRY.

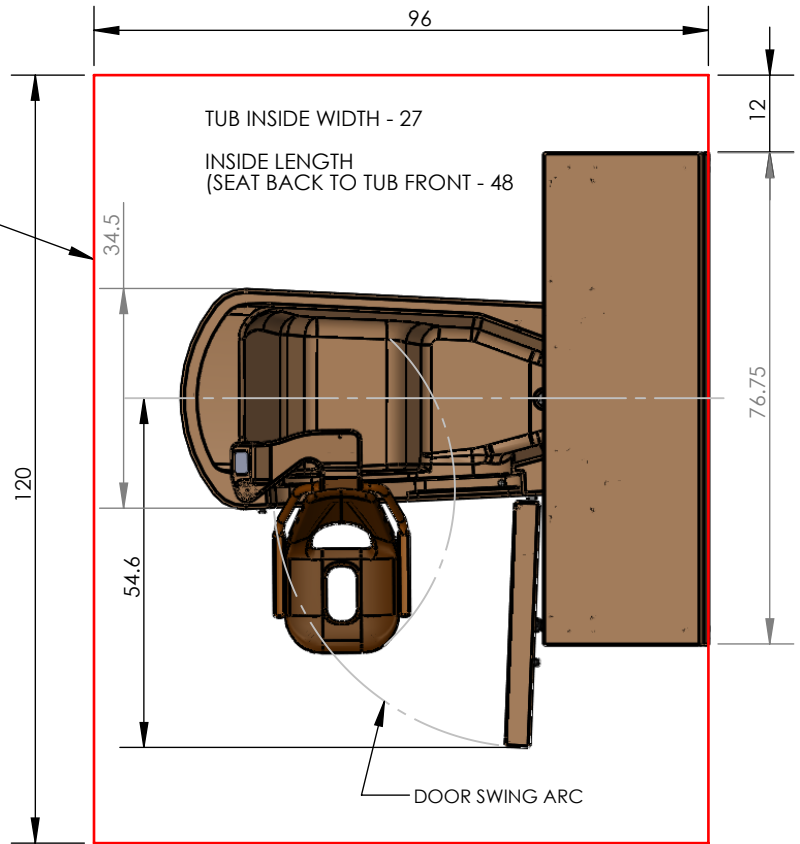


	RIGHT HAND (SHOWN)	LEFT HAND (MIRROR IMAGE)
MODEL NUMBER	360020-XP	360020-XPL
DESCRIPTION	CASCADE STANDARD PREMIER	CASCADE STANDARD PREMIER LEFT
"TUB TYPE" OPTION SELECTED	RIGHT SIDE ENTRY (SHOWN)	LEFT SIDE ENTRY (MIRROR IMAGE OF SHOWN TUB)
TUB WATER CAPACITY	80 GALLONS	80 GALLONS
RESERVOIR WATER CAPACITY	65 GALLONS	65 GALLONS
FILLED TUB WEIGHT	944 LBS	944 LBS
FILLED CABINET WEIGHT (RESERVOIR)	970 LBS	970 LBS
TUB ONLY WEIGHT	278 LBS	278 LBS
CABINET ONLY WEIGHT	428 LBS	428 LBS
TUB SHIPPING WEIGHT	380 LBS	380 LBS
CABINET SHIPPING WEIGHT	580 LBS	580 LBS

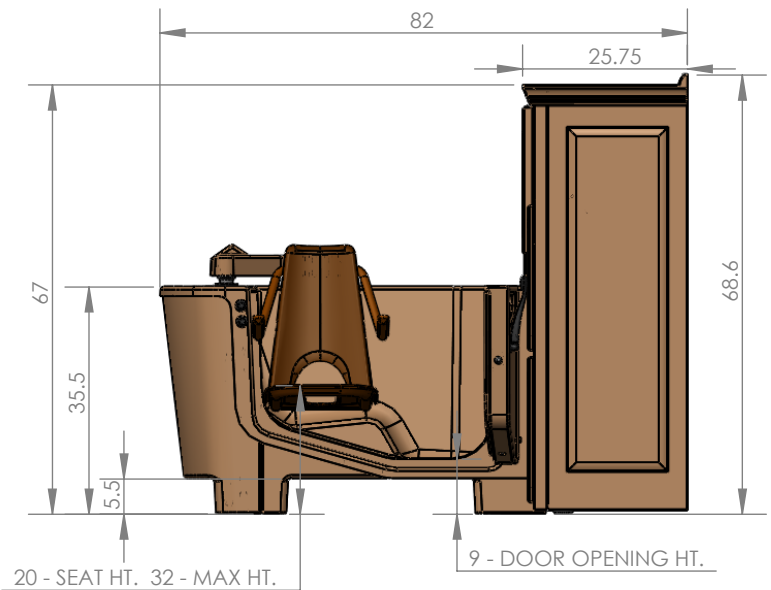
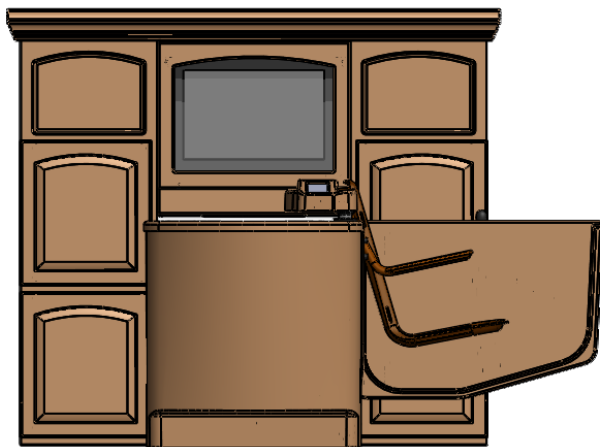
PENNER MFG INC.
102 GRANT ST.
AURORA, NE. 68818
402-694-5003

CASCADE STANDARD PREMIER WITH SWIVEL LIFT

RECOMMENDED CLEAR AREA FOR CAREGIVER, PATIENT LIFT MANEUVERING, MAINTENANCE, AND DOOR SWING



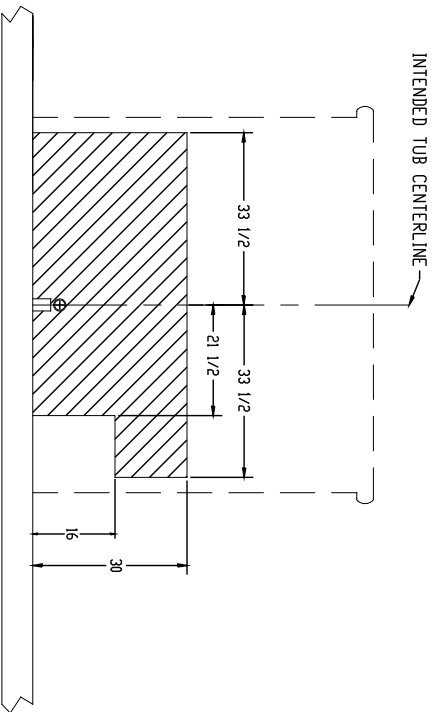
TO TRANSPORT THIS TUB INTO A ROOM, THE DOOR OPENING WIDTH MUST BE 35 INCHES MINIMUM.



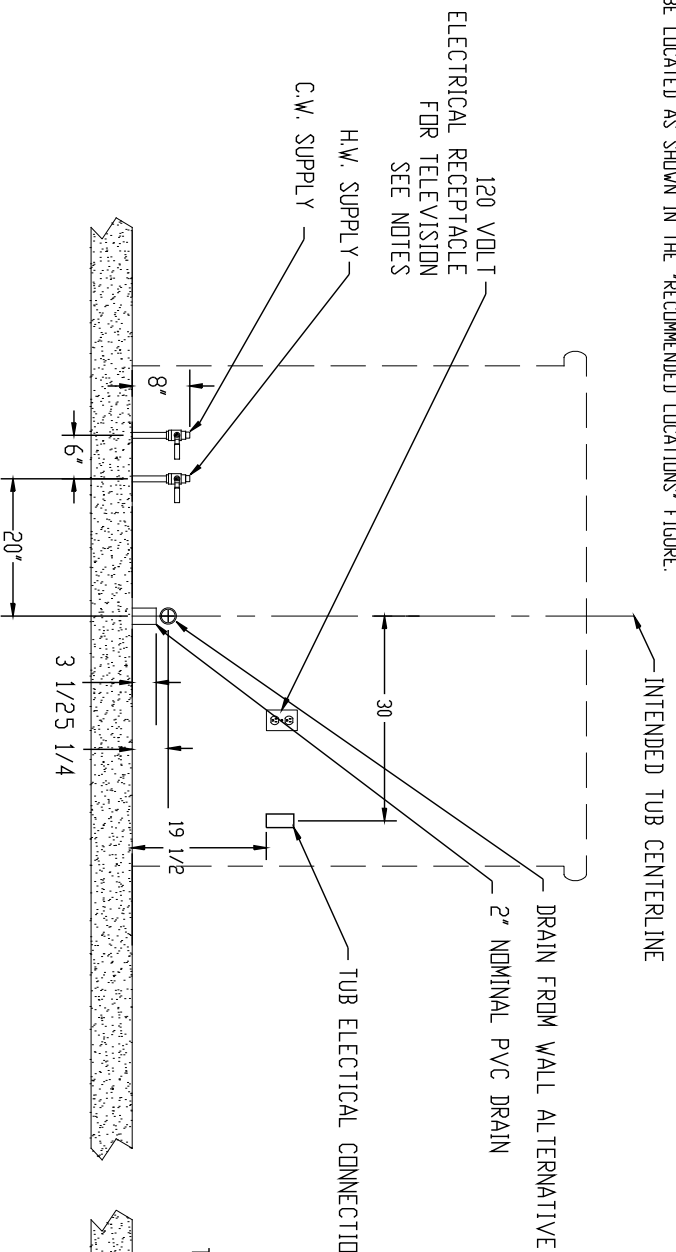
	RIGHT HAND (SHOWN)	LEFT HAND (MIRROR IMAGE)
MODEL NUMBER	360020-XP	360020-XPL
DESCRIPTION	CASCADE STANDARD PREMIER	CASCADE STANDARD PREMIER LEFT
"TUB TYPE" OPTION SELECTED	RIGHT SIDE ENTRY WITH SWIVEL LIFT (SHOWN)	LEFT SIDE ENTRY WITH SWIVEL LIFT (MIRROR IMAGE OF SHOWN TUB)
TUB WATER CAPACITY	80 GALLONS	80 GALLONS
RESERVOIR WATER CAPACITY	65 GALLONS	65 GALLONS
FILLED TUB WEIGHT	960 LBS	960 LBS
FILLED CABINET WEIGHT (RESERVOIR)	970 LBS	970 LBS
TUB ONLY WEIGHT	420 LBS	420 LBS
CABINET ONLY WEIGHT	428 LBS	428 LBS
TUB SHIPPING WEIGHT	530 LBS	530 LBS
CABINET SHIPPING WEIGHT	580 LBS	580 LBS

PENNER MFG INC.
102 GRANT ST.
AURORA, NE. 68818
402-694-5003

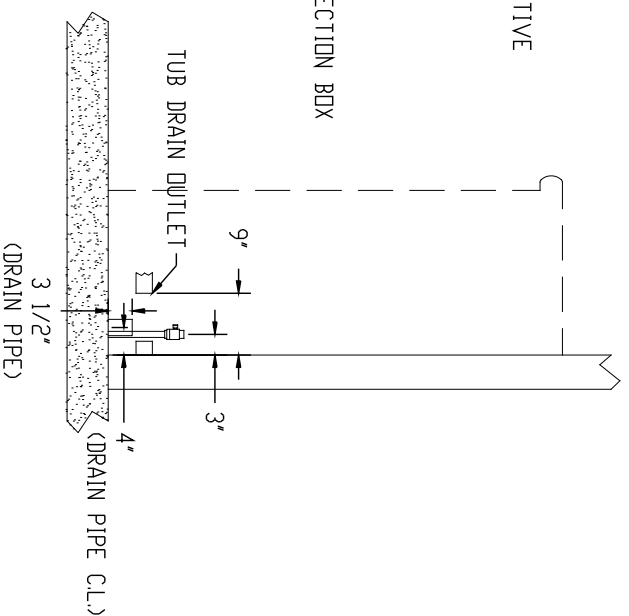
PENNER MFG INC LEFT HAND CASCADE - PREMIER TUB ROUGH IN SPECS



HATCHED AREA IS OPEN WALL SPACE BEHIND THE CABINET
(EXCEPT FOR DRAIN CONNECTION)
TUB ELECTRICAL SUPPLY BOX, TV RECEPTACLE, AND
WATER SUPPLY VALVES CAN BE LOCATED ANYWHERE
WITHIN THE HATCHED AREA, BUT, ARE RECOMMENDED
TO BE LOCATED AS SHOWN IN THE 'RECOMMENDED LOCATIONS' FIGURE.



RECOMMENDED LOCATIONS



WATER SUPPLY: 3/4" HW & CW SUPPLY LINES PREFERRED

WITH BALL VALVES W/MALE NPT THREADS (NOT SUPPLIED)
(84" FLEXIBLE STAINLESS STEEL BRAIDED CONNECTING LINES SUPPLIED)

DRAIN:

DRAIN PIPE FROM FLOOR OR OPTIONAL WALL LOCATION - 2" PVC
(P-TRAP NOT SUPPLIED)

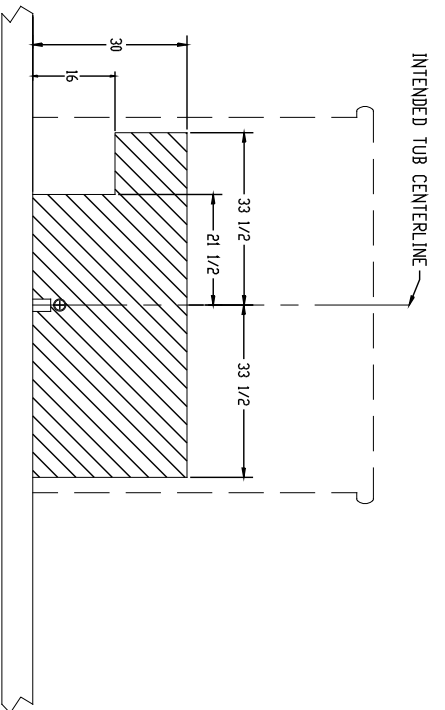
TUB ELECTRICAL:

TUB ELECTRICAL RATING: 120 VOLTS 725 AMPS
RECOMMENDED ELECTRICAL SUPPLY: 15 AMP WITH GFCI PROTECTION
(NUISANCE TRIPPING MAY OCCUR IF THE WIRING IS TOO LIGHT FOR THE
DISTANCE BETWEEN THE BREAKER AND THE TUB)

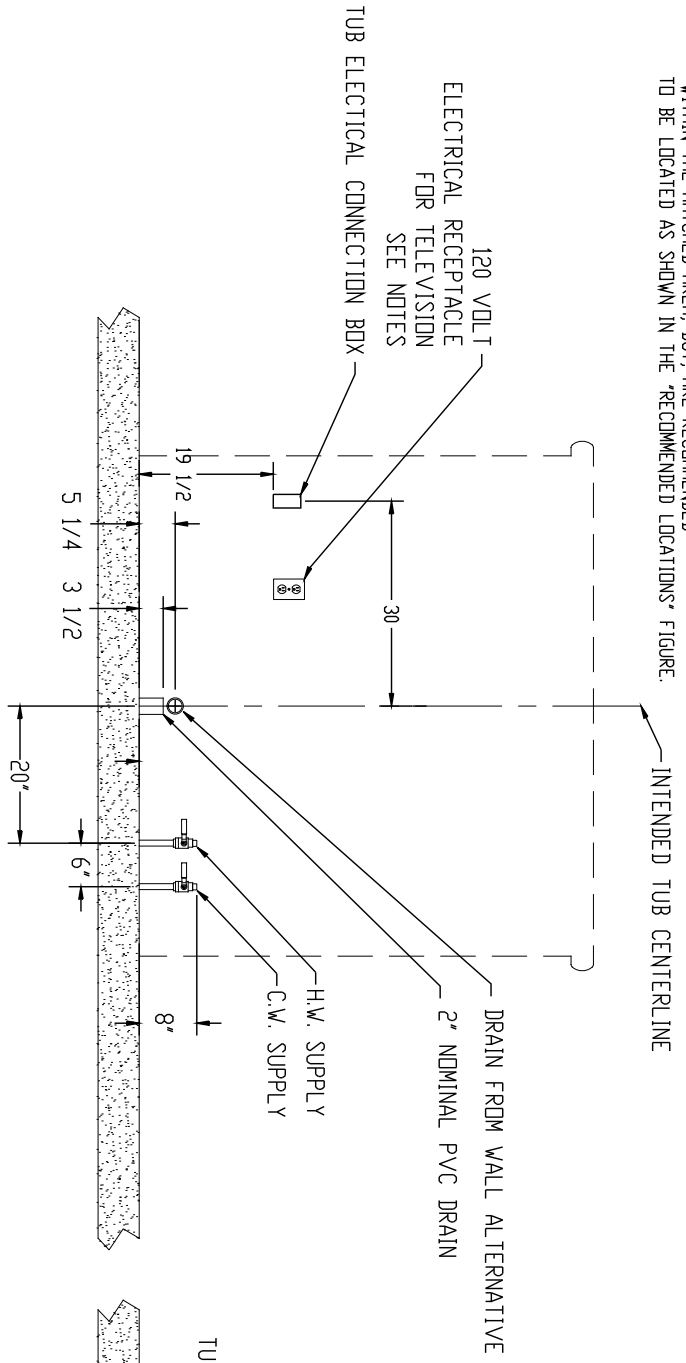
T.V. ELECTRICAL:

GFCI PROTECTED WALL RECEPTACLE - 120 VOLT - 15 AMP
(T.V. RATING IS APPROXIMATELY 2 AMPS)

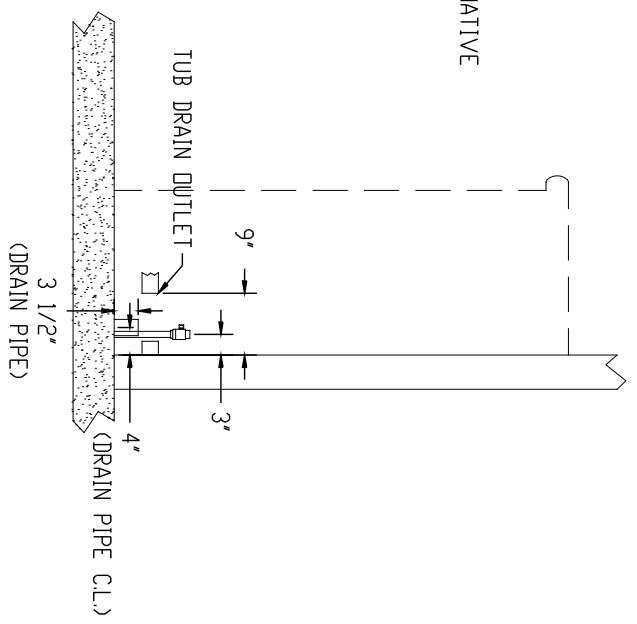
PENNER MFG INC RIGHT HAND CASCADE - PREMIER TUB ROUGH IN SPECS



HATCHED AREA IS OPEN WALL SPACE BEHIND THE CABINET
(EXCEPT FOR DRAIN CONNECTION)
TUB ELECTRICAL SUPPLY BOX, TV RECEPTACLE, AND
WATER SUPPLY VALVES CAN BE LOCATED ANYWHERE
WITHIN THE HATCHED AREA, BUT, ARE RECOMMENDED
TO BE LOCATED AS SHOWN IN THE 'RECOMMENDED LOCATIONS' FIGURE.



RECOMMENDED LOCATIONS



WATER SUPPLY: 3/4" HV & CW SUPPLY LINES PREFERRED
WITH BALL VALVES W/MALE NPT THREADS (NOT SUPPLIED)
(84" FLEXIBLE STAINLESS STEEL BRAIDED CONNECTING LINES SUPPLIED)

DRAIN: DRAIN PIPE FROM FLOOR OR OPTIONAL WALL LOCATION - 2" PVC
(P-TRAP NOT SUPPLIED)

TUB ELECTRICAL: TUB ELECTRICAL RATING: 120 VOLTS 7.25 AMPS
RECOMMENDED ELECTRICAL SUPPLY: 15 AMP WITH GFCI PROTECTION
(NUISANCE TRIPPING MAY OCCUR IF THE WIRING IS TOO LIGHT FOR THE
DISTANCE BETWEEN THE BREAKER AND THE TUB)

T.V. ELECTRICAL: GFCI PROTECTED WALL RECEPTACLE - 120 VOLT - 15 AMP
(T.V. RATING IS APPROXIMATELY 2 AMPS)