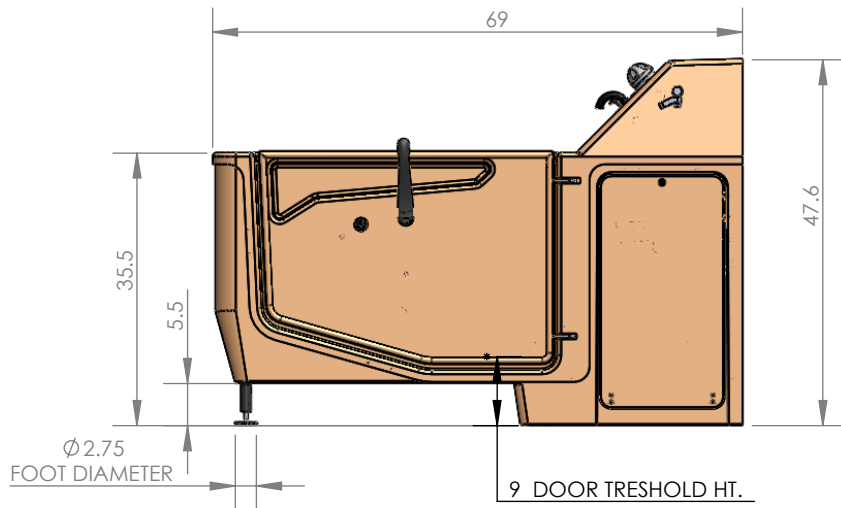
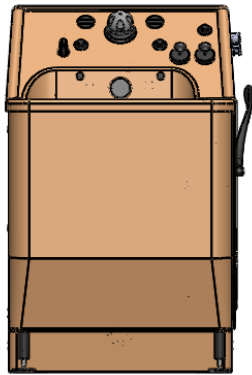
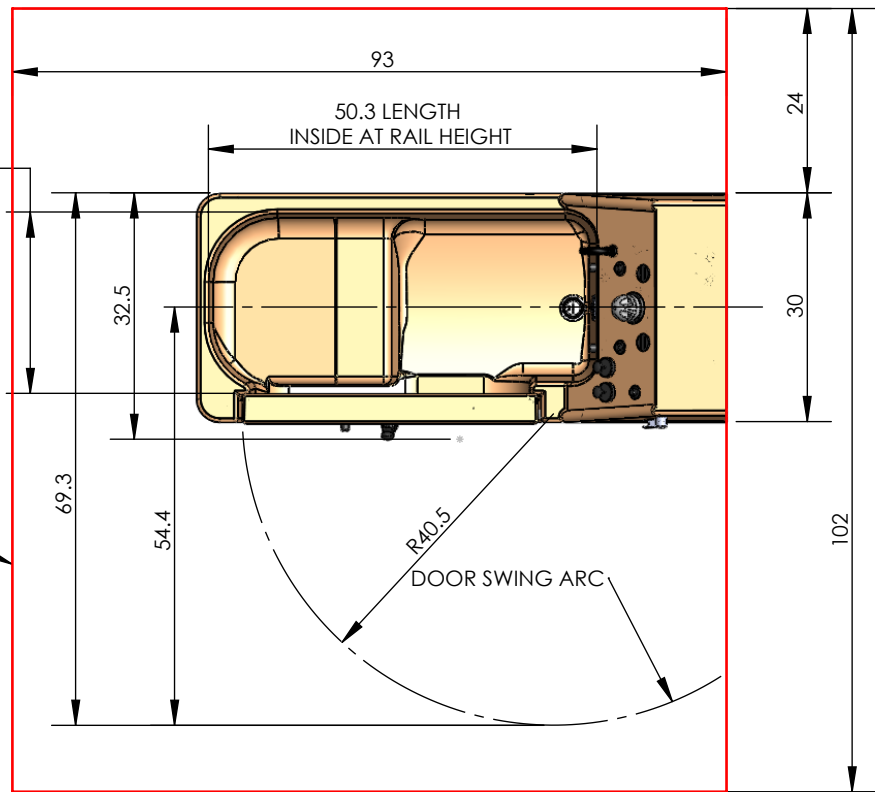


CASCADE STANDARD SIDE ENTRY SPA

23.3 WIDTH
INSIDE AT RAIL HEIGHT

RECOMMENDED CLEAR
AREA FOR CAREGIVER,
PATIENT LIFT MANEUVERING,
MAINTENANCE,
AND DOOR SWING

TO TRANSPORT THIS TUB INTO A ROOM,
THE DOOR OPENING WIDTH MUST BE
33 INCHES. HOWEVER, IT CAN BE AS SMALL
AS 30 INCHES IF THE WATER DOOR AND
SHOWER ELBOW ARE REMOVED FROM THE
TUB PRIOR TO ENTRY.



	RIGHT HAND (SHOWN)	LEFT HAND (MIRROR IMAGE)	RIGHT HAND (SHOWN)
MODEL NUMBER	360010-X	360010-XL	361910-X *
DESCRIPTION	CASCADE STANDARD WIDTH RIGHT SIDE ENTRY -LOW SEAT	CASCADE STANDARD WIDTH LEFT SIDE ENTRY -LOW SEAT	CASCADE STANDARD WIDTH RIGHT SIDE ENTRY -HI SEAT
WATER CAPACITY	80 GALLONS	80 GALLONS	80 GALLONS
SEAT HEIGHT FROM FLOOR	14 INCHES	14 INCHES	19 INCHES
FILLED TUB WEIGHT	1016 LBS	1016 LBS	1016 LBS
TUB ONLY WEIGHT	350 LBS	350 LBS	350 LBS
SHIPPING WEIGHT	484 LBS	484 LBS	484 LBS

THE "X" IN THE MODEL NUMBER REPRESENTS A COLOR CODE

PENNER MFG INC.
102 GRANT ST.
AURORA, NE. 68818
402-694-5003

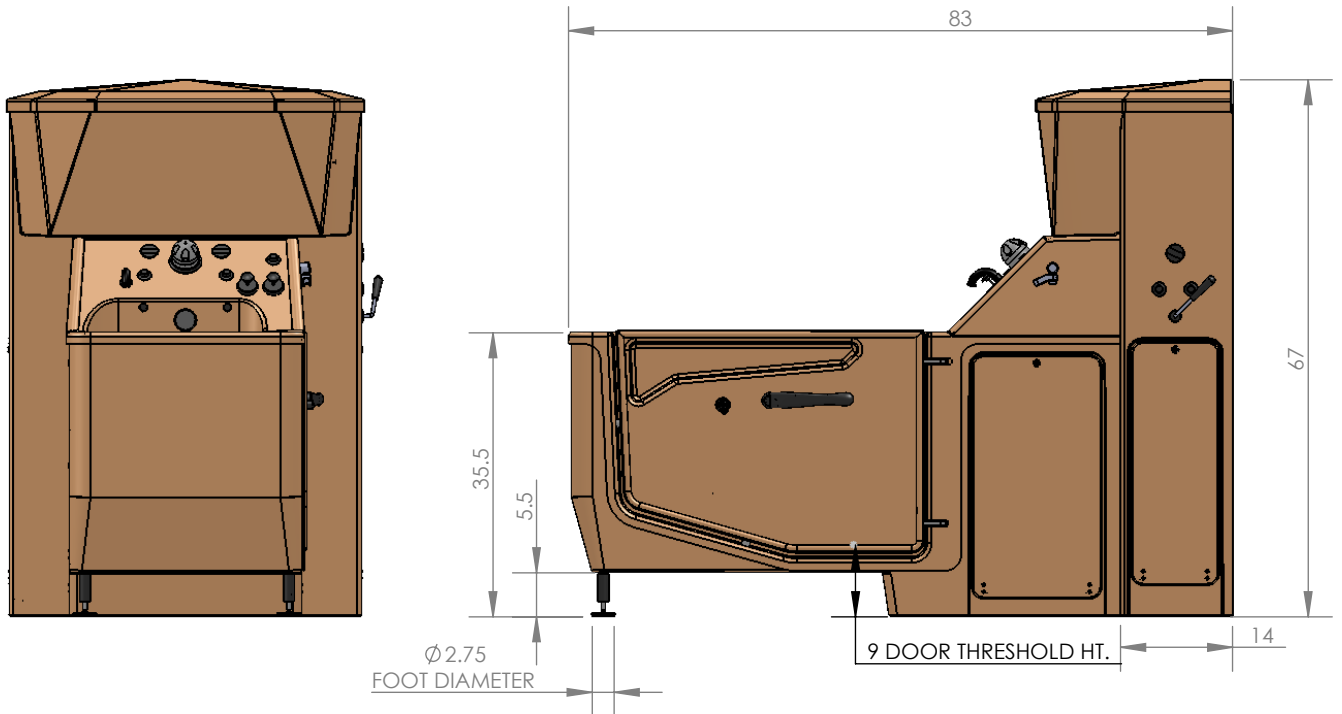
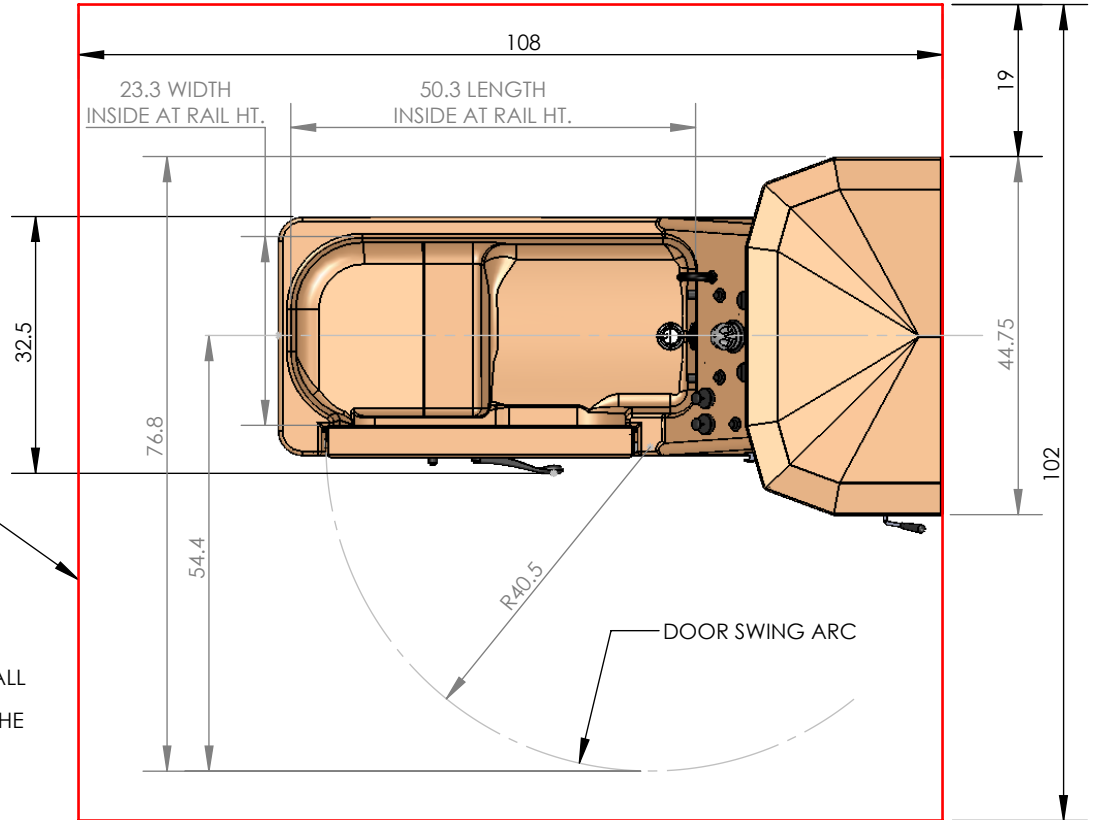
* THIS "HI SEAT" MODEL IS FOR AMBULATORY RESIDENTS AND USE WITHOUT A PATIENT LIFT.

STANDARD CASCADE WITH RESERVOIR

PENNER MFG INC.
102 GRANT ST.
AURORA, NE. 68818
402-694-5003

RECOMMENDED CLEAR AREA FOR CAREGIVER, PATIENT LIFT MANEUVERING, MAINTENANCE, AND DOOR SWING

TO TRANSPORT THIS TUB INTO A ROOM, THE DOOR OPENING WIDTH MUST BE 33 INCHES. HOWEVER, IT CAN BE AS SMALL AS 30 INCHES IF THE WATER DOOR AND SHOWER ELBOW ARE REMOVED FROM THE TUB PRIOR TO ENTRY.

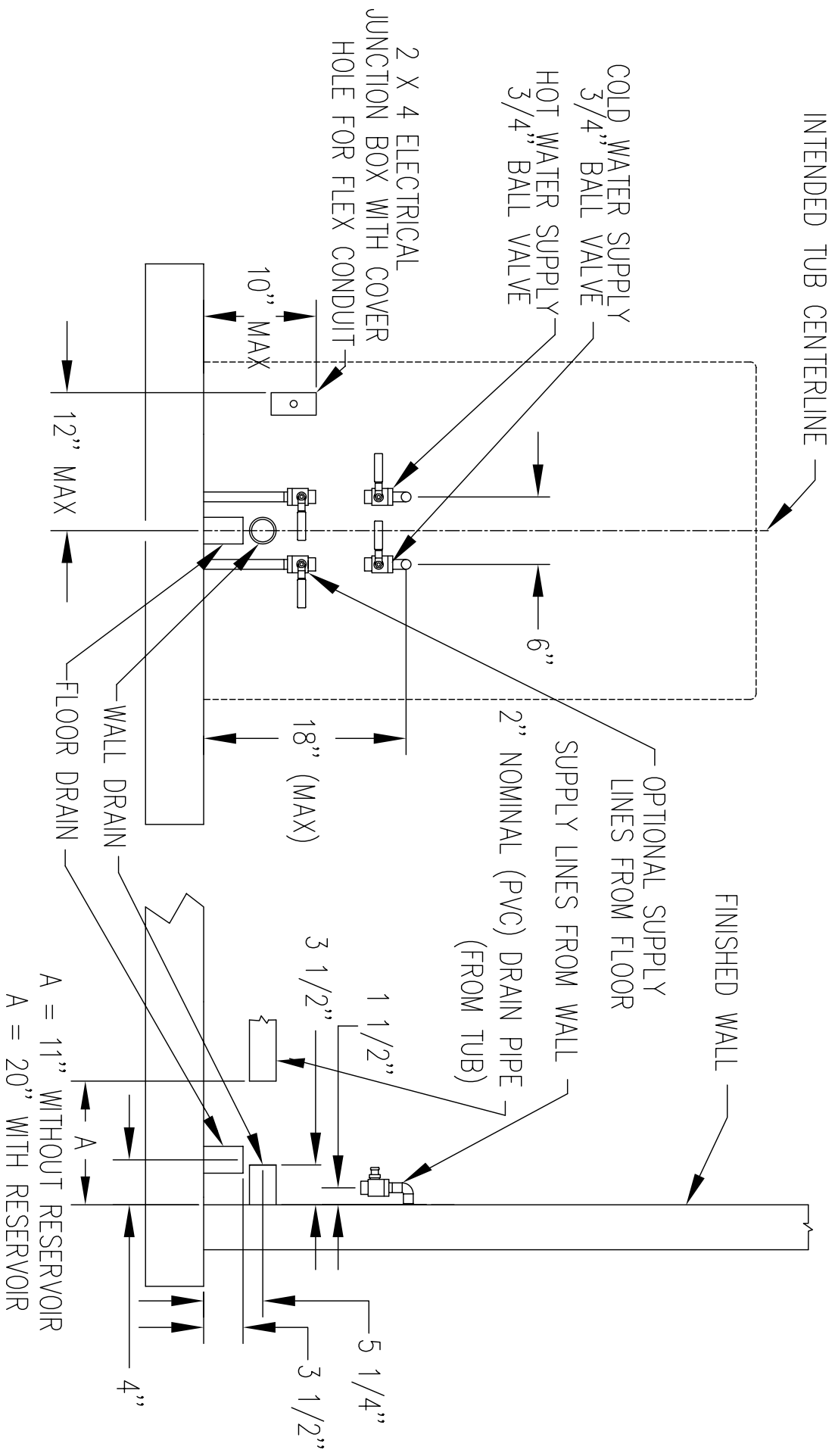


TUB ONLY	RIGHT HAND (SHOWN)	LEFT HAND (MIRROR IMAGE)	RIGHT HAND (SHOWN)
MODEL NUMBER	360010-X	360010-XL	361910-X*
DESCRIPTION	CASCADE STANDARD WIDTH RIGHT SIDE ENTRY -LOW SEAT	CASCADE STANDARD WIDTH LEFT SIDE ENTRY -LOW SEAT	CASCADE STANDARD WIDTH RIGHT SIDE ENTRY -HI SEAT
WATER CAPACITY	80 GALLONS	80 GALLONS	80 GALLONS
SEAT HEIGHT FROM FLOOR	14 INCHES	14 INCHES	19 INCHES
FILLED TUB WEIGHT	1016 LBS	1016 LBS	1016 LBS
TUB ONLY WEIGHT	350 LBS	350 LBS	350 LBS
SHIPPING WEIGHT	484 LBS	484 LBS	484 LBS

RESERVOIR ONLY	RIGHT HAND (SHOWN)	LEFT HAND (MIRROR IMAGE)
MODEL NUMBER	370010-XW	370010-XWL
DESCRIPTION	RESERVOIR - WIDE (RH)	RESERVOIR - WIDE LH
RESERVOIR CAPACITY	55 GALLONS	55 GALLONS
EMPTY WEIGHT	150LBS	150LBS
FILLED WEIGHT	608 LBS	608 LBS
SHIPPING WEIGHT	265 LBS	265 LBS

* THIS "HI SEAT" MODEL IS FOR AMBULATORY RESIDENTS AND USE WITHOUT A PATIENT LIFT.

THE "X" IN THE MODEL NUMBERS REPRESENTS A COLOR CODE



PENNER MFG - CASCADE ROUGH-IN DIMENSIONS