

Eleexo XXL Shower-toilet chair



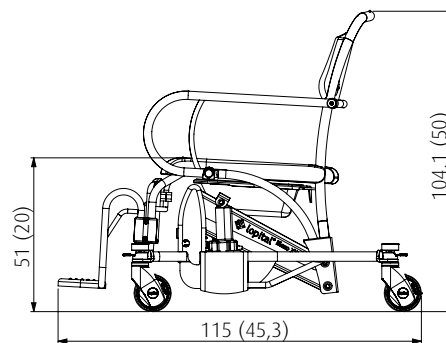
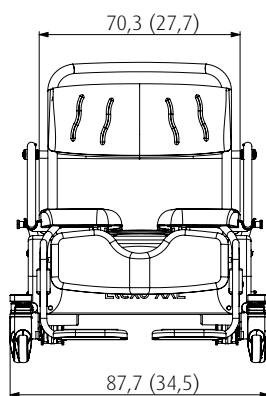
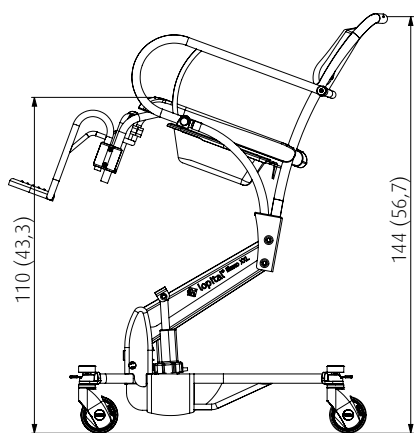
5100 5300

Eleexo XXL Shower-toilet chair high / low

Caring for Bariatric clients with traditional shower-toilet chairs is heavy work. Care staff are obliged to work in unnatural postures and suffer from static back strain. Lopital offers relief with the height-adjustable Eleexo XXL shower-toilet chair.

The electric height-adjustability ensures that the seat reaches a maximum tilting angle of 17 degree when at its maximum height, thereby creating the optimum seating balance for the client / resident. The Eleexo XXL provides comfort with the ergonomically shaped seat, calf support and foldable extended armrests.





Elexo XXL Shower-toilet chair high / low

Characteristics

- simple electric high / low adjustment manual operation with battery indicator
- tilt adjustment to a maximum of 17 degrees
- 3 plastic castors fitted with brakes
- 1 direction wheel
- extremely stable due to 2 lifting motors
- rail for toilet bucket or bedpan
- sleep mode setting after 60 minutes
- simple to recharge with included charger
- folding and extended armrests
- 2-part seat with toilet opening
- ergonomic calf support
- swivelling and detachable footrests

Optional

- height and depth adjustable headrest

Technical specifications

Max. load:	220 kilo / 484 lb
Own weight:	75 kilo / 165 lb
Wedge setting:	17 degree
Adjustable seat height:	51-110 cm / 20-43.3 inch
Seat width:	70,3 cm / 27.7 inch
Seat depth:	60 cm / 23.5 inch
Battery capacity:	2x 12V, 7.2Ah
Charger:	220V 50 / 60Hz 500mA
Electrical power:	24V
Max. current:	10A
Max. power:	240 watt
Security:	<ul style="list-style-type: none"> • on / of switch • emergency stop • emergency lowering



Cornerstone Medical Inc. brings you the industry's best products from companies who focus their R&D to meet healthcare's evolving needs.



Cornerstone Medical Inc., 10-889 Barton Street, Stoney Creek, ON L8E 5V1
 T 905-945-2522 or 1-800-652-3895 | F 905-945-5611 | E info@cornerstone-medical.com

www.cornerstone-medical.com