

# Tango XXL Shower Commode Chair

5100 5800

## Tango XXL Shower and Commode Chair

The Tango XXL Shower and Commode chair provides patient care and bathing in a responsible way. The Tango XXL provides optimum comfort for the patient as well as the caregiver.

300kg/793lbs Capacity





**Infection Control Friendly**  
Designed for Easy Cleaning  
Smooth Edges and Surfaces



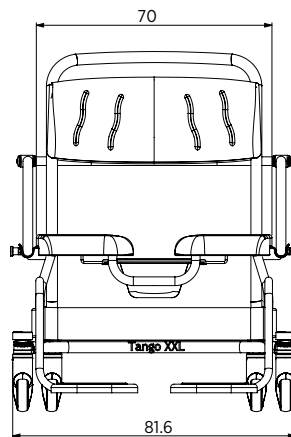
Two part seat with front and back openings.



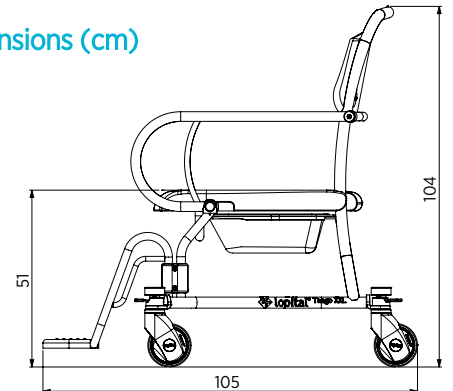
Swingaway and removable footrests.  
Extended fully swingaway armrests.

### Characteristics

- Smooth and Easy Drivability
- Designed for easy cleaning
- Lockable plastic swivel castors, stainless steel wheel housings, one directional castor
- Two part PUR seat with toilet opening
- Rail for toilet bucket or bedpan
- Swivel/Removable Footrests
- Can be wheeled over the toilet
- Rilsan coated frame
- 300kg/793lbs



### Dimensions (cm)



Cornerstone Medical Inc. brings you the industry's best products from companies who focus their R&D to meet healthcare's evolving needs.



Cornerstone Medical Inc., 10-889 Barton Street, Stoney Creek, ON L8E 5V1  
T 905-945-2522 or 1-800-652-3895 | F 905-945-5611 | E info@cornerstone-medical.com

[www.cornerstone-medical.com](http://www.cornerstone-medical.com)